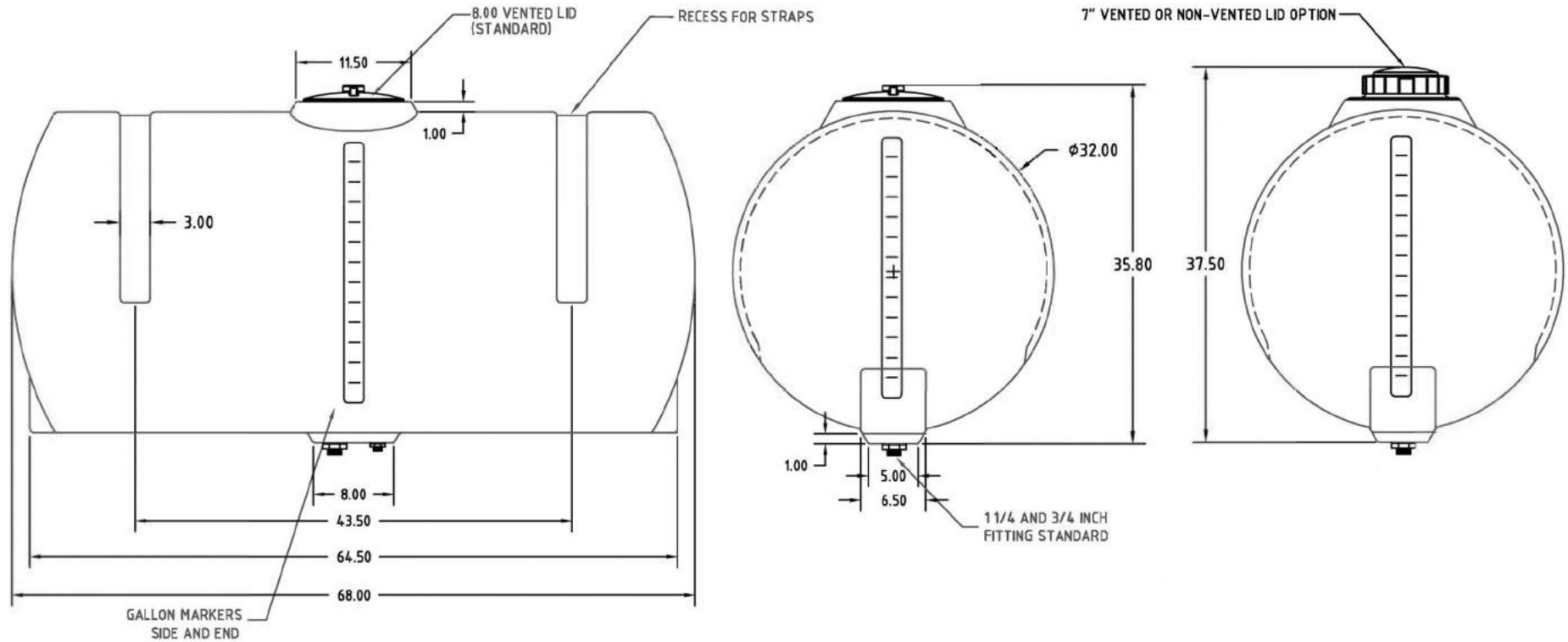


© DEN HARTOG INDUSTRIES, INC.

Copyright. All information furnished within this document, electronic file or design correspondence is the property of Den Hartog Industries, Inc. and shall not be used, disclosed to others or copied without the expressed written consent of Den Hartog Industries, Inc.

A



		DRAWN / DATE NVE 6/7/05		MATERIAL	
		APPRD. / DATE DHJ 6/21/05		HDPE OR EQUIVALENT REFERENCE MATERIAL DATA SHEET FOR SPECIFIC PROPERTIES.	
A	ADDED 7" LID OPTION CCN 1860	REH 5/8/09	CLIENT / DESCRIPTION 200 GALLON HORIZONTAL TANK (32" DIA.)		
REV	DESCRIPTION	DATE	APPRD	SCALE N.S.	PART NO.
ALL DIMENSIONS ARE IN DECIMAL INCHES TOLERANCES UNLESS OTHERWISE SPECIFIED ± 1% @ 68° F			THIRD ANGLE PROJECTION ANSI 14.5M 		NOTES: 1. NOM. WALL @ .210 2. WHITE OR COLOR 3. SHOT WEIGHT 64 LBS.

APA200-32

(866) 776-8265

PROTANK

sales@protank.com