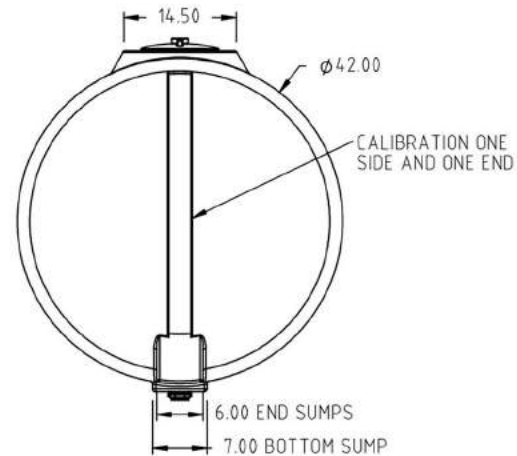
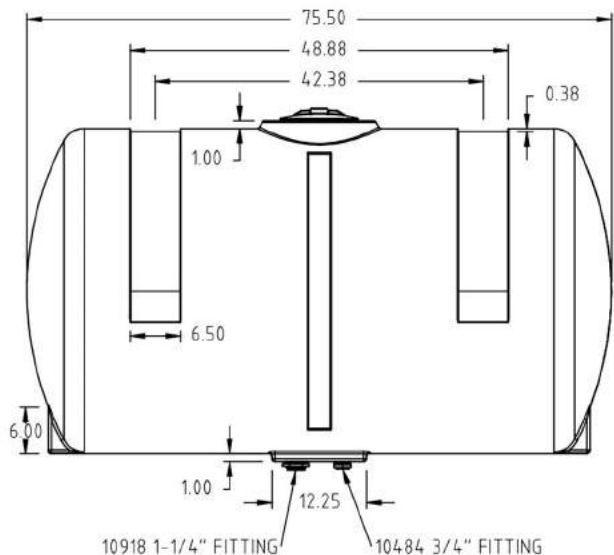
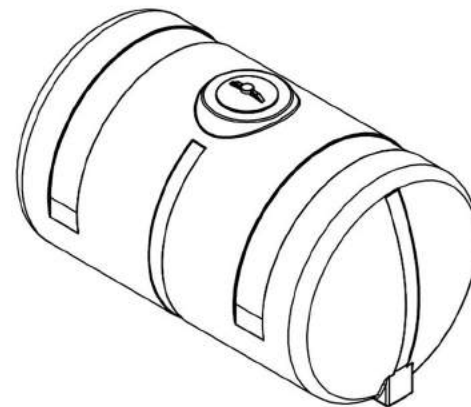
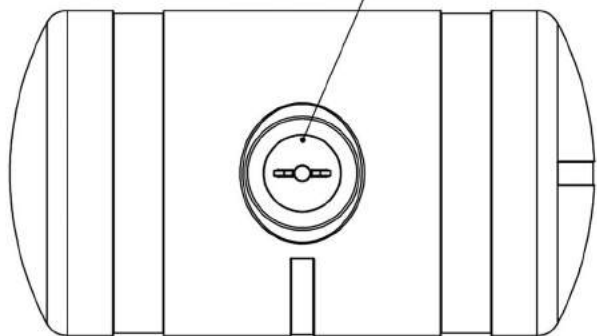


© DEN HARTOG INDUSTRIES, INC.

Copyright. All information furnished within this document, electronic file or design correspondence is the property of Den Hartog Industries, Inc. and shall not be used, disclosed to others or copied without the expressed written consent of Den Hartog Industries, Inc.

10525 8" VENTED LID STANDARD  
5" OR 7" LIDS AVAILABLE



				DRAWN / DATE REH 3/21/12	MATERIAL 10420		
				APPRD. / DATE ADH 3/21/12			
REV	DESCRIPTION	BY / DATE	CCN				
ALL DIMENSIONS ARE IN DECIMAL INCHES TOLERANCES UNLESS OTHERWISE SPECIFIED		THIRD ANGLE PROJECTION ANSI 14.5M		SHOT WEIGHT: 115 LBS.	NOTES: 1.) .275 NOM. WALL	DESCRIPTION 400 GALLON HORIZONTAL TANK	
POLYETHYLENE		METAL		SHIPPING WEIGHT: 117 LBS.		SCALE N.S.	PART NO.
±1% @ 68°F		DECIMAL ± .125" FRACTION ± 1/4" ANGLE ± 1°		FINISH:			

APA400

(866) 776-8265

PROTANK

sales@protank.com