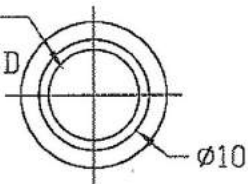
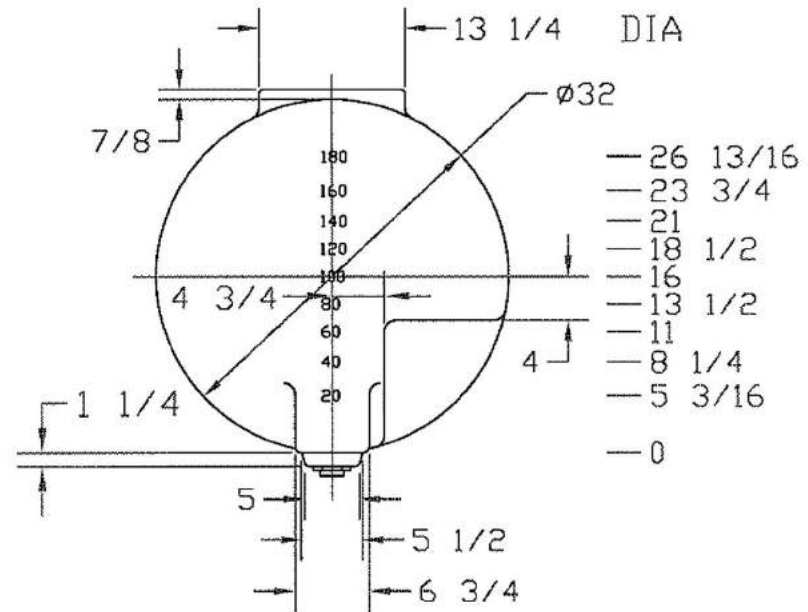
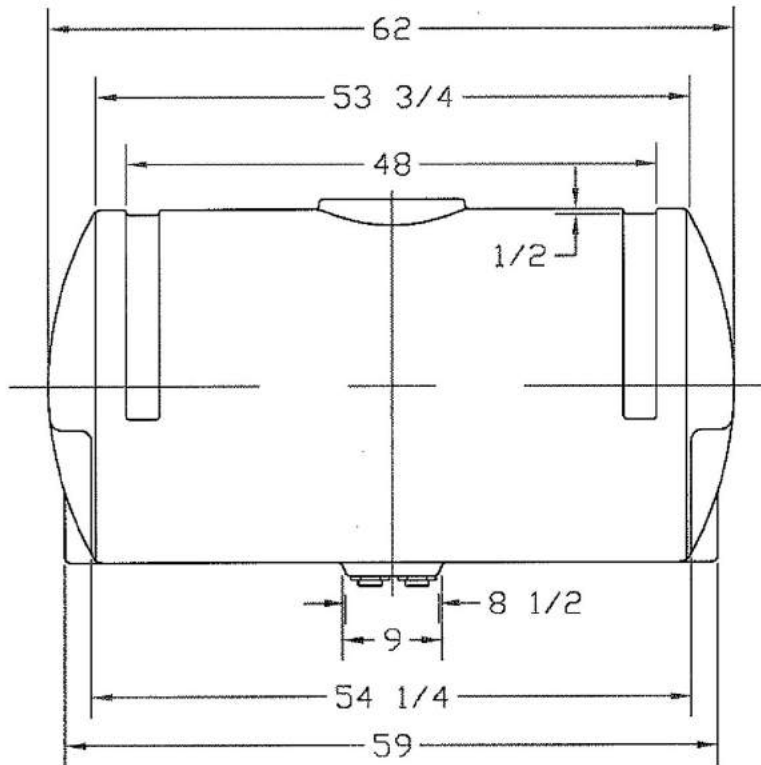


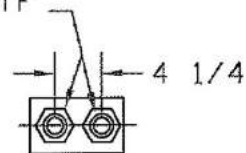
8 1/4" ACME THD  
RH, FOR 60002 LID



REVISIONS				
ZONE	REV	DESCRIPTION	DATE	APPROVED
	A	REVISED & REDRAWN	22FEB95	
	B	FITTINGS UPDATED	09DEC02	



1-1/4" NPTF



		200 GALLON X 32 DIA APPLICATOR TANK		
JTP	22FEB95	SIZE A	FSCM NO.	DWG NO.
		SCALE 1/16		REV B
			SHEET	