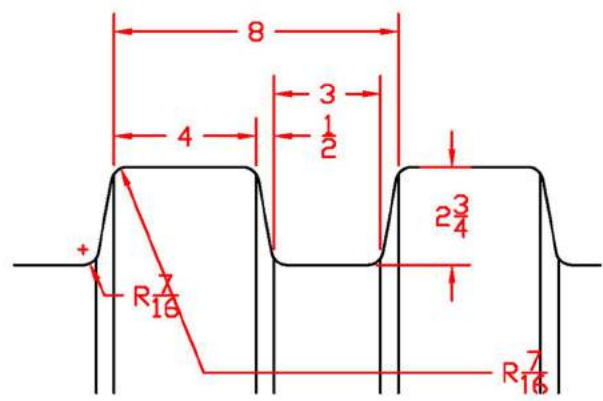
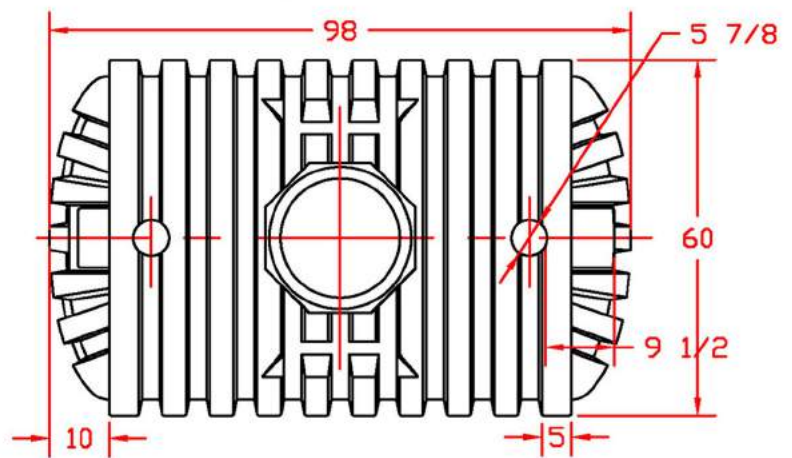


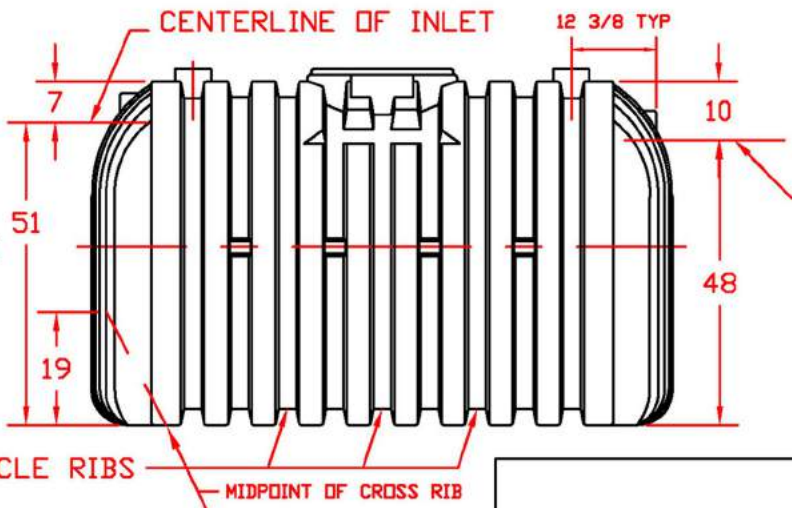
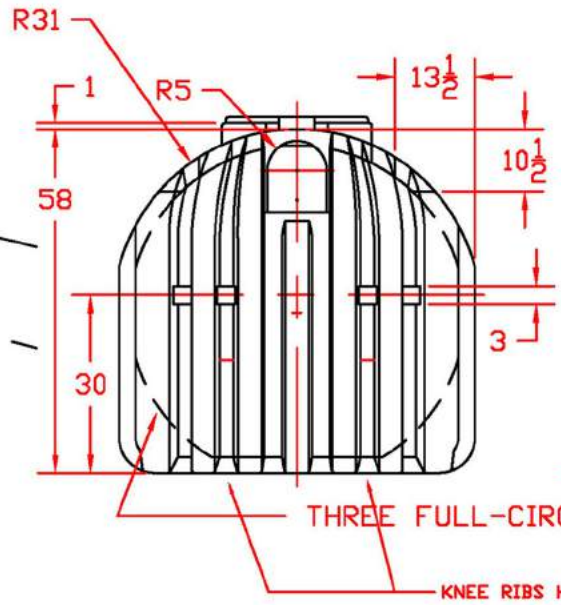
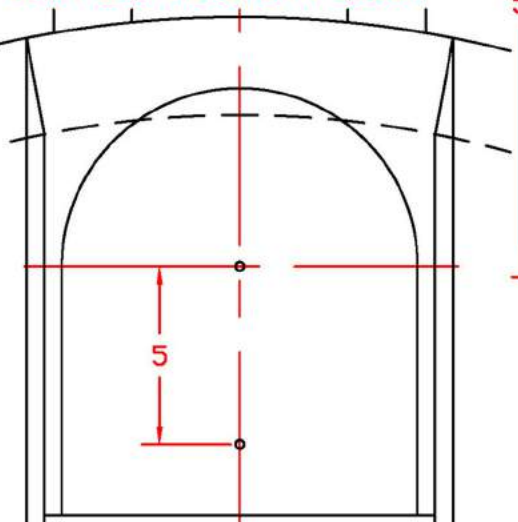
REVISIONS				
ZONE	REV	DESCRIPTION	DATE	APPROVED



RIB DETAIL 1/4 SCALE



TWO DRILLING CENTERS ON EACH END AS SHOWN BELOW



1000 GALLON BRUISER TANK, SINGLE MANHOLE

JTP	11JUL03	SIZE B	FSCM NO.	DWG NO.	REV
SCALE 1/24		SHEET 1 OF 2			