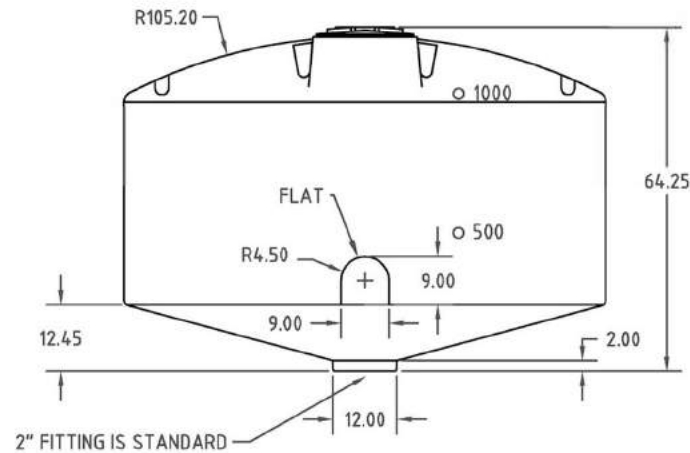
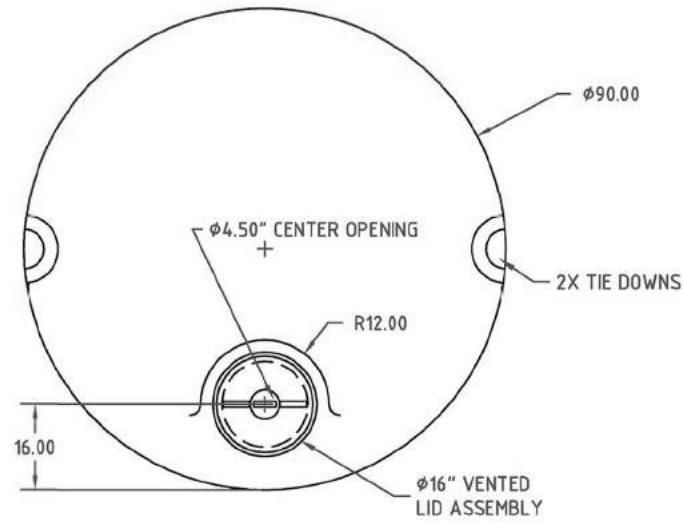


Copyright. All information furnished within this document, electronic file or design correspondence is the property of Den Hartog Industries, Inc. and shall not be used, disclosed to others or copied without the expressed written consent of Den Hartog Industries, Inc.



				DRAWN / DATE DHJ 10/31/08	MATERIAL 10420 3 MELT	
				APPRD. / DATE REH 2/18/09	+	
REV	DESCRIPTION	BY / DATE	CCN			
ALL DIMENSIONS ARE IN DECIMAL INCHES TOLERANCES UNLESS OTHERWISE SPECIFIED				SHOT WEIGHT: 260 LBS.	NOTES: 1. .30 WALL	DESCRIPTION 1300 GALLON 15° CONE BOTTOM TANK
POLYETHYLENE ±1% @ 68° F		THIRD ANGLE PROJECTION ANSI 14.5H 		SHIPPING WEIGHT: 262 LBS.	FINISH:	SCALE N.S.
METAL DECIMAL ± .125" FRACTION ± 1/4" ANGLE ± 1°						PART NO.