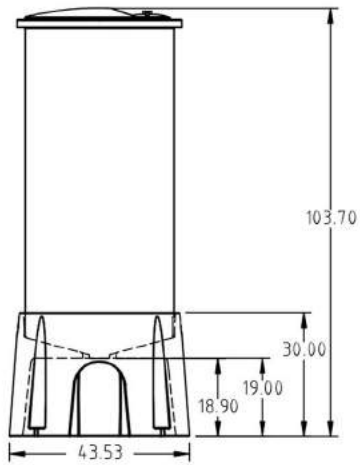
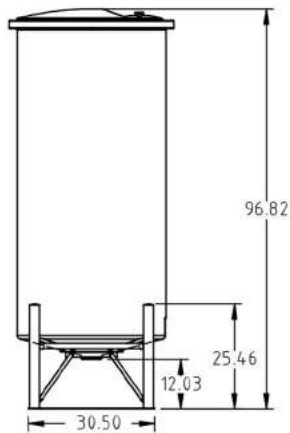


© DEN HARTOG INDUSTRIES, INC.

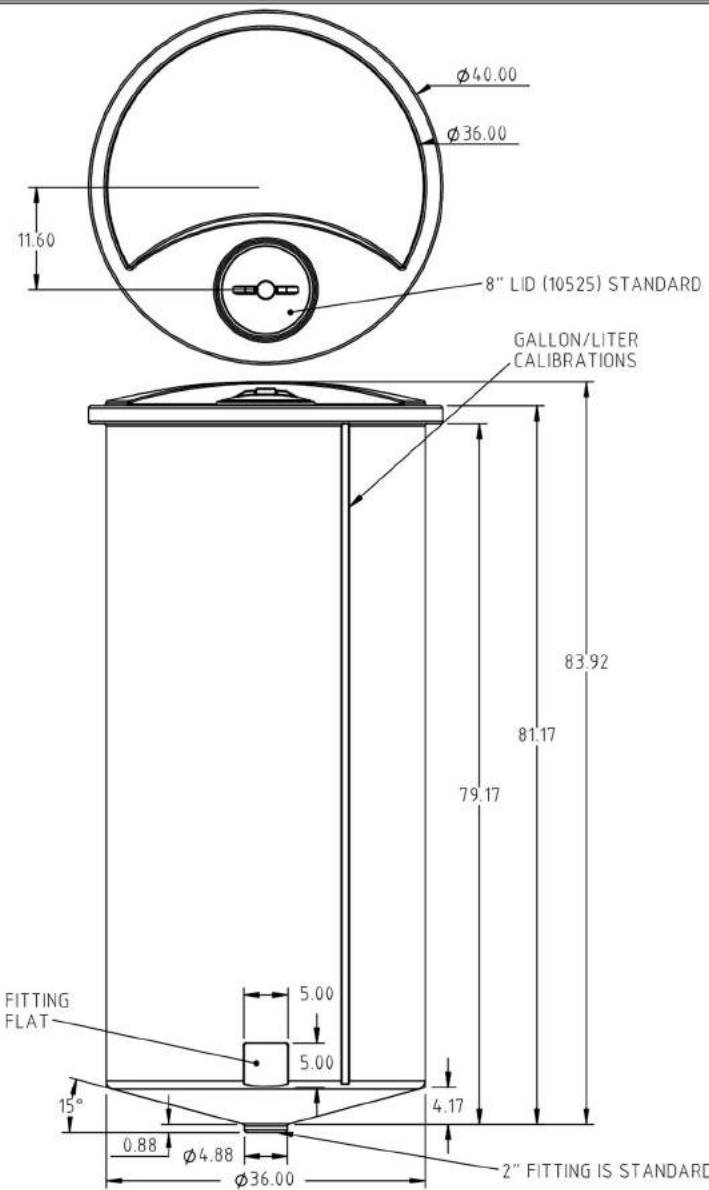
Copyright All information furnished within this document, electronic file or design correspondence is the property of Den Hartog Industries, Inc. and shall not be used, disclosed to others or copied without the expressed written consent of Den Hartog Industries, Inc.



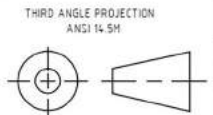
OC036-STP POLY STAND



CB036-15ST METAL STAND



				DRAWN / DATE ADH 7/12/10	MATERIAL	
				APPRD. / DATE REH 4/18/11	10420	
REV	DESCRIPTION	BY / DATE	CCN			
	ALL DIMENSIONS ARE IN DECIMAL INCHES TOLERANCES UNLESS OTHERWISE SPECIFIED			SHOT WEIGHT: 90.00 LBS	NOTES:	DESCRIPTION 36" DIA. X 325 GALLON CONE BOTTOM
	POLYETHYLENE			SHIPPING WEIGHT: 92.00 LBS	1.) 0.22 WALL THICKNESS	SCALE N.S.
	±1% @ 68°F			FINISH:		PART NO.
	METAL DECIMAL ± .125" FRACTION ± 1/4" ANGLE ± 1°					



CBA325

(866) 776-8265

PROTANK

sales@protank.com