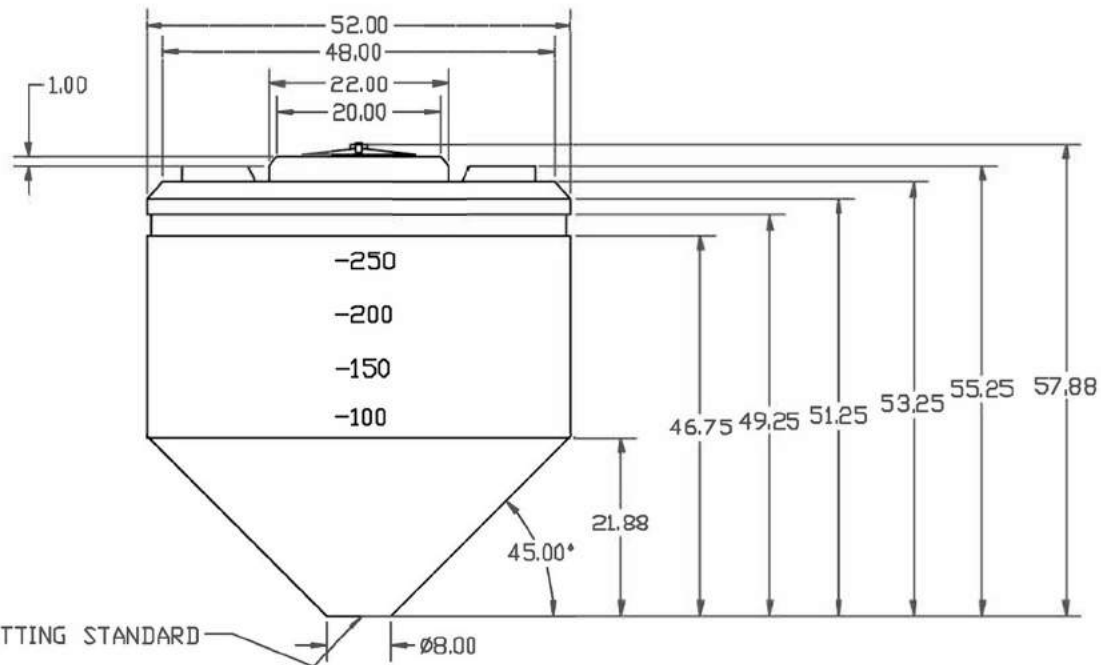
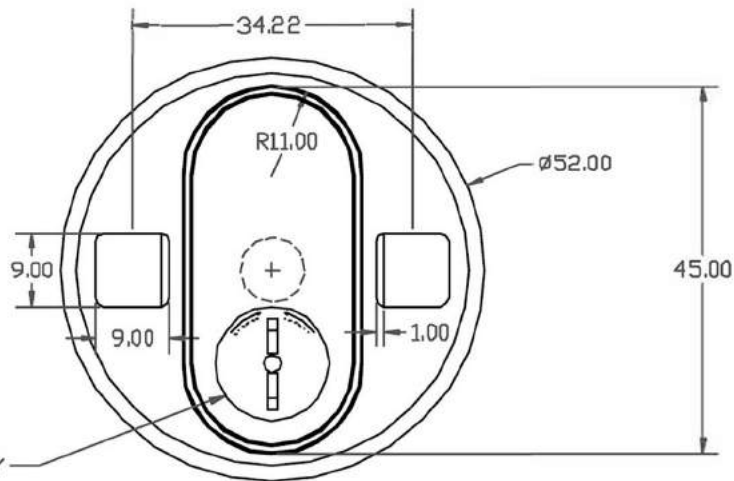


PROPRIETARY DATA

PROPERTY OF DEN HARTOG INDUSTRIES, INC. INFORMATION FURNISHED HEREIN IS THE PROPERTY OF DEN HARTOG INDUSTRIES, INC. AND SHALL NOT BE USED, DISCLOSED TO OTHERS, OR COPIED WITHOUT THE EXPRESSED WRITTEN CONSENT OF DEN HARTOG INDUSTRIES, INC. ALL RIGHTS RESERVED.

E

12" VENTED LID ASSEMBLY

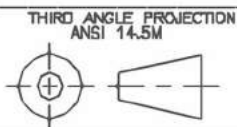


E	16 INCH LID WAS SHOWN CCN1299	4/11/07	DHJ
D	REMOVED STAND, UPDATED PRINT	5/16/06	NVE
C	CHANGE PART NO. TO C80345-52	10/5/04	
B	ADD FITTING INFORMATION	10/05/04	
A	FINALIZE PART	8/15/04	
REV	DESCRIPTION	DATE	APPROD

DRAWN / DATE DHJ / 8/17/04	MATERIAL HDPE OR EQUIVALENT REFERENCE MATERIAL DATA SHEET FOR SPECIFIC PROPERTIES.
APPRD. / DATE REH 4/18/07	

CLIENT / DESCRIPTION 345 GALLON TANK WITH 45° CONE BOTTOM	
SCALE N.S.	PART NO.

ALL DIMENSIONS ARE IN DECIMAL INCHES
 TOLERANCES UNLESS OTHERWISE SPECIFIED
 ± 1% @ 68° F



- NOTES:
- NOM. WALL @ .250
 - SHOT WEIGHT 100 LBS.