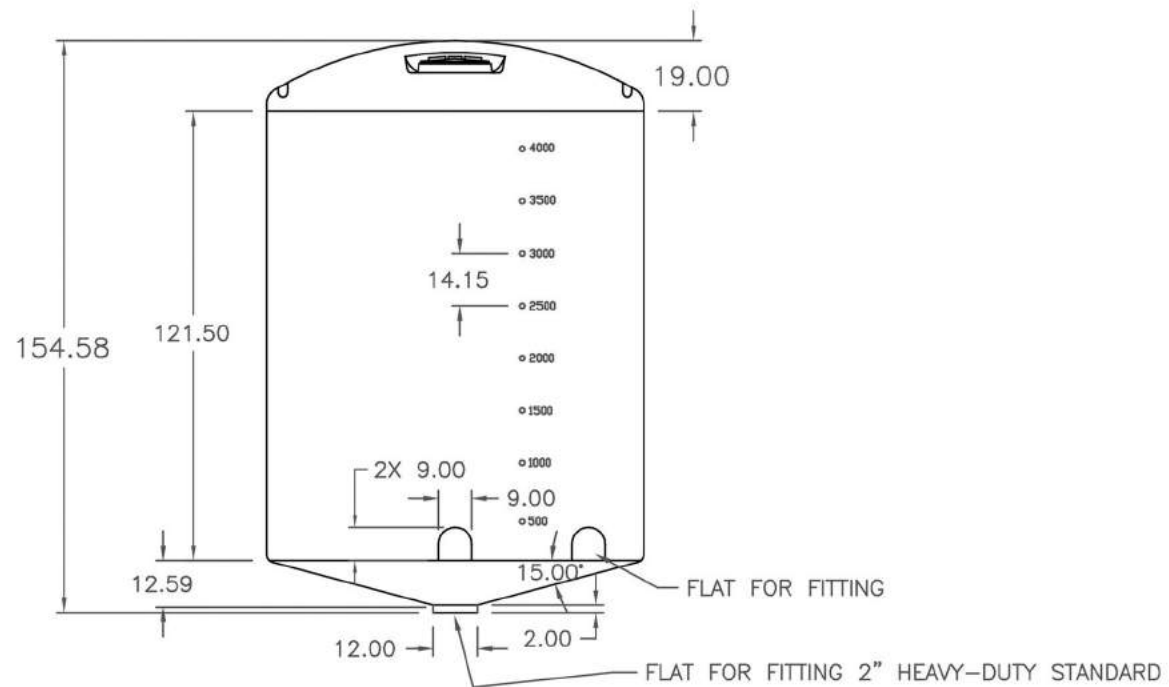
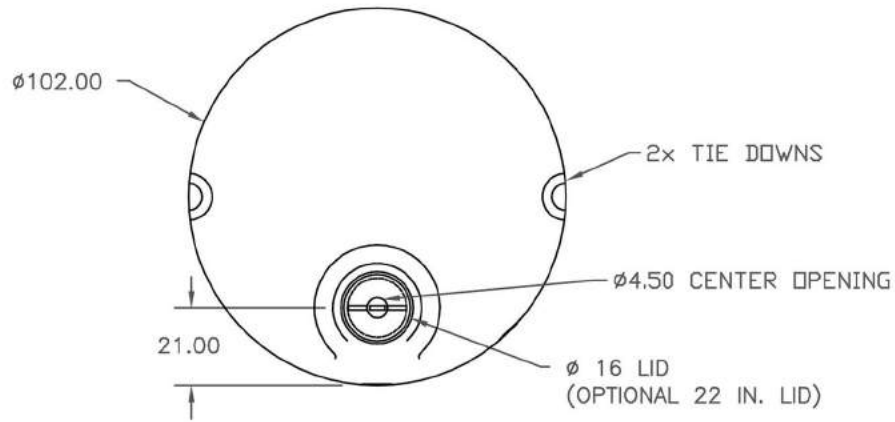


PROPRIETARY DATA

PROPERTY OF DEN HARTOG INDUSTRIES, INC. INFORMATION FURNISHED HEREIN IS THE PROPERTY OF DEN HARTOG INDUSTRIES, INC. AND SHALL NOT BE USED, DISCLOSED TO OTHERS, OR COPIED WITHOUT THE EXPRESSED WRITTEN CONSENT OF DEN HARTOG INDUSTRIES, INC. ALL RIGHTS RESERVED.

A



				DRAWN / DATE DHJ 4/15/04	MATERIAL HDPE OR EQUIVALENT REFERENCE MATERIAL DATA SHEET FOR SPECIFIC PROPERTIES.	CLIENT / DESCRIPTION 4600 GALLON ϕ 102" 15° CONE BOTTOM TANK	
A	ADDED TOTAL HEIGHT DIM.	6/29/06	NVE	APPRD. / DATE REH 4/18/07		SCALE N.S.	PART NO.
REV	DESCRIPTION	DATE	APPRD	THIRD ANGLE PROJECTION ANSI 14.5M 	NOTES: 1. WHITE OR YELLOW COLOR 2. SHOT WEIGHT 1200 LBS.		
ALL DIMENSIONS ARE IN DECIMAL INCHES TOLERANCES UNLESS OTHERWISE SPECIFIED $\pm 1\% @ 68^\circ F$							

CBA4600

(866) 776-8265

PROTANK

sales@protank.com