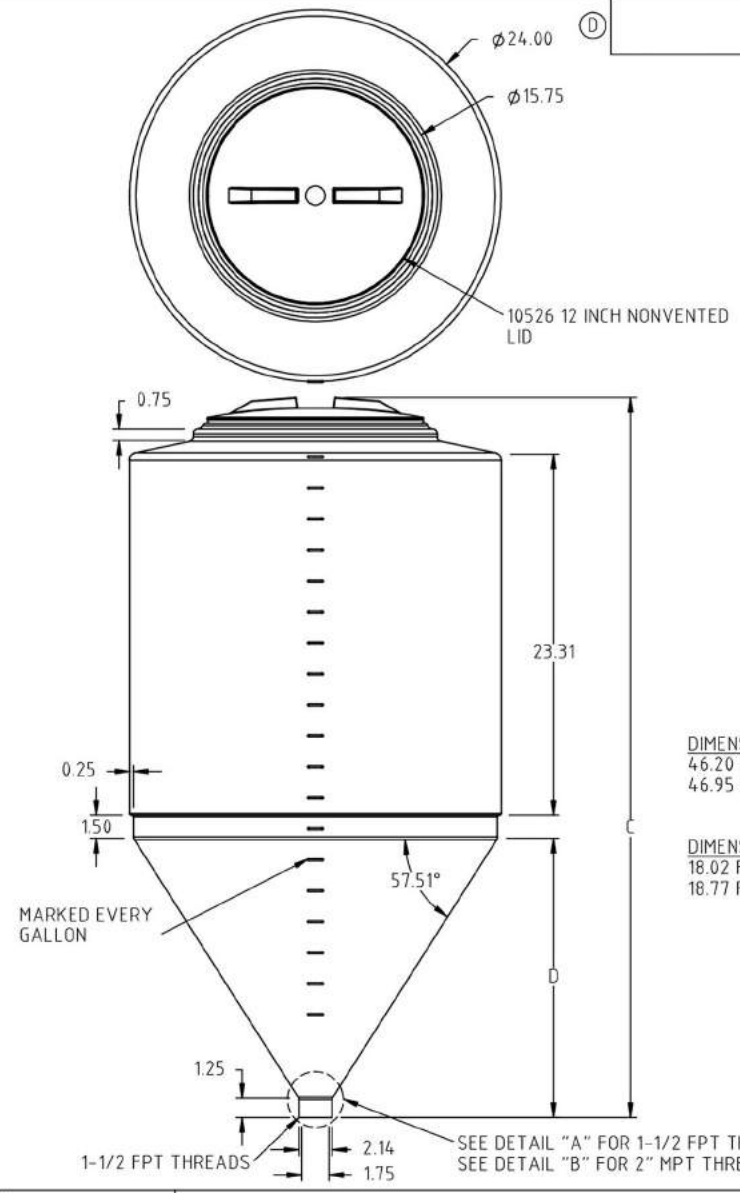
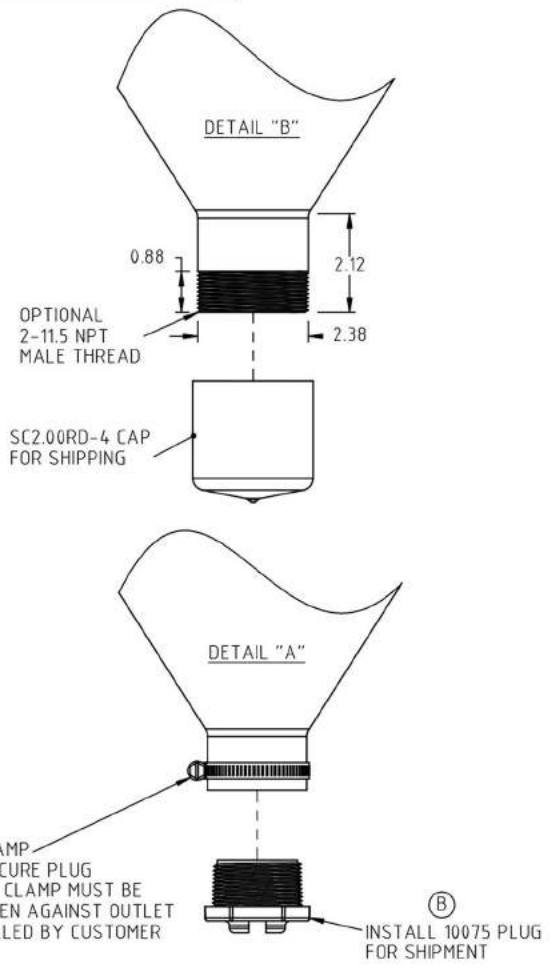


Copyright All information furnished within this document, electronic file or design correspondence is the property of Den Hartog Industries, Inc. and shall not be used, disclosed to others or copied without the expressed written consent of Den Hartog Industries, Inc.

D



DIMENSION C  
4.6.20 FOR 1.5 NPT OUTLET  
4.6.95 FOR 2.0 NPT OUTLET

DIMENSION D  
18.02 FOR 1.5 NPT OUTLET  
18.77 FOR 2.0 NPT OUTLET

D	55 WAS 60	ADH 12/11/13	2755
C	ADDED 2 INCH MALE THREAD OPTION	DHJ 8/15/11	2269
B	10075 PLUG WAS 19412	ADH 1/28/08	1579
A	CORRECT PART NUMBER	DHJ 5/24/07	
REV	DESCRIPTION	BY / DATE	CCN
ALL DIMENSIONS ARE IN DECIMAL INCHES TOLERANCES UNLESS OTHERWISE SPECIFIED		THIRD ANGLE PROJECTION ANSI 14.5M	
POLYETHYLENE		METAL	
±1% @ 68°F		DECIMAL ± .125" FRACTION ± 1/4" ANGLE ± 1°	

DRAWN / DATE DHJ 4/10/05	MATERIAL MEDIUM DENSITY POLYETHYLENE
APPRD. / DATE ADH 3/14/06	
SHOT WEIGHT: 22.00 LBS	
SHIPPING WEIGHT: 24.00 LBS	NOTES: 1.) 0.22 NOM. WALL
FINISH:	

DESCRIPTION 55 GALLON INDUCTOR (FULL DRAIN)	
SCALE N.S.	PART NO. D