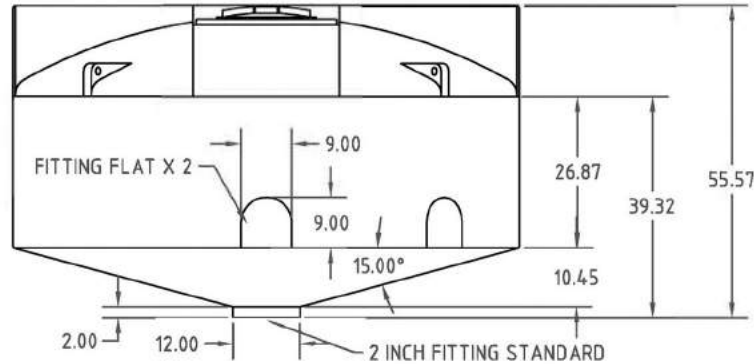
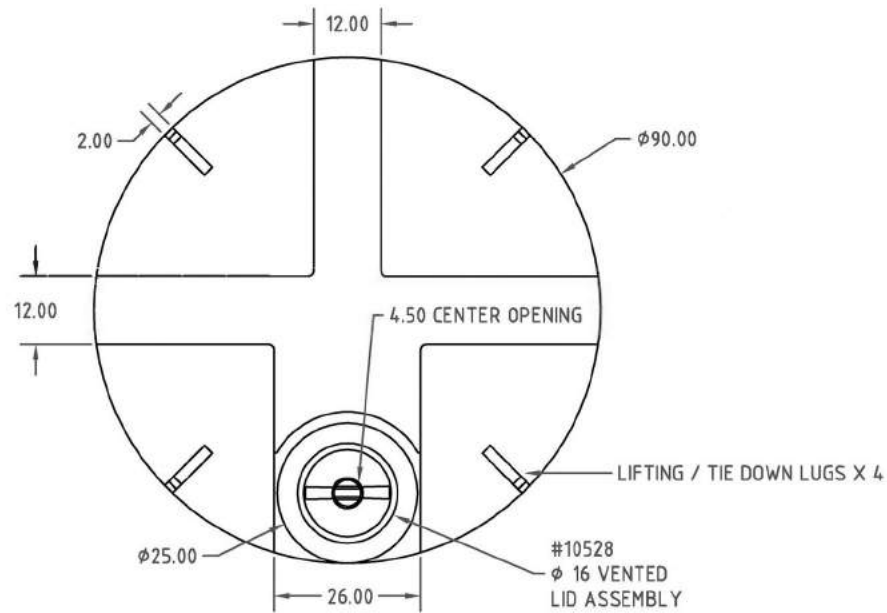


Copyright. All information furnished within this document, electronic file or design correspondence is the property of Den Hartog Industries, Inc. and shall not be used, disclosed to others or copied without the expressed written consent of Den Hartog Industries, Inc.



				DRAWN / DATE DHJ 1/7/11	MATERIAL 10420	
				APPRD. / DATE REH 2/2/11		
REV	DESCRIPTION	BY / DATE	CCN			
	ALL DIMENSIONS ARE IN DECIMAL INCHES TOLERANCES UNLESS OTHERWISE SPECIFIED			SHOT WEIGHT: 210 LBS.	NOTES: 1. THICKNESS @ BOTTOM SIDE WALL .280	DESCRIPTION 850 GALLON 90" DIA. X 15° CONE BOTTOM TANK W/ INDUSTRIAL TOP
	POLYETHYLENE ±1% @ 68° F			SHIPPING WEIGHT: 212 LBS.		SCALE N.S.
	METAL DECIMAL ± .125" FRACTION ± 1/4" ANGLE ± 1°			FINISH:		PART NO.
		THIRD ANGLE PROJECTION ANSI 14.5H				