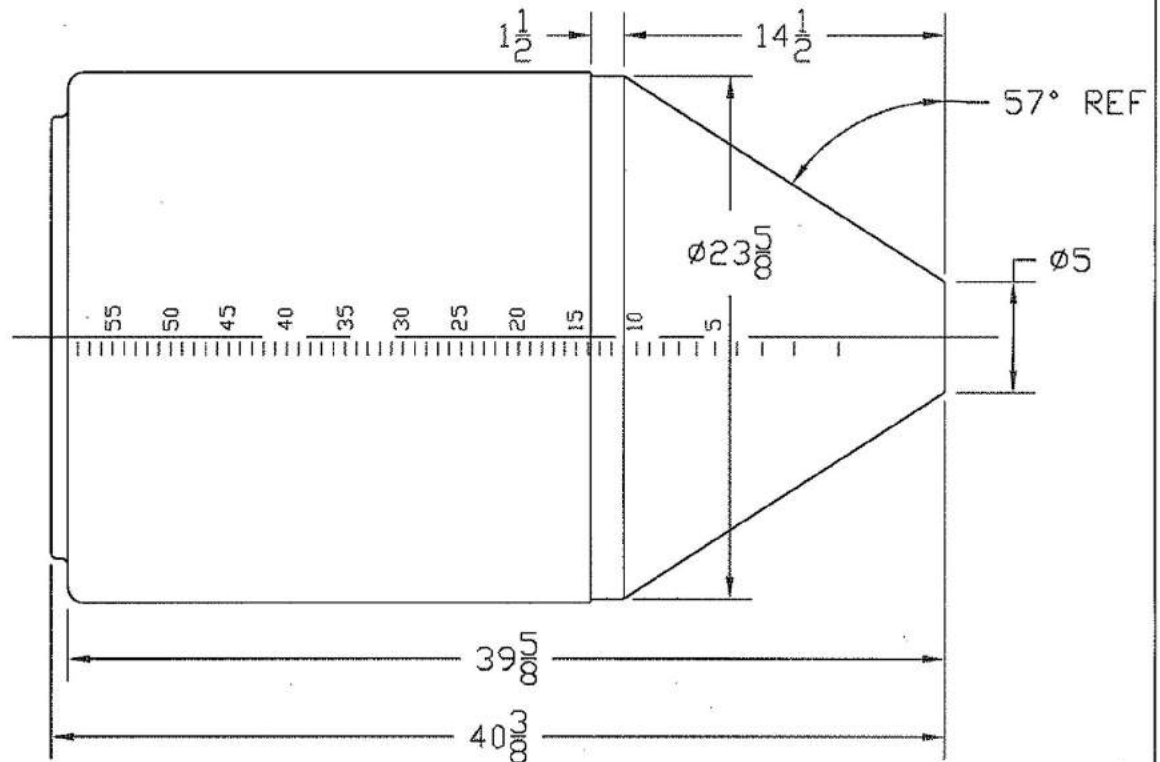
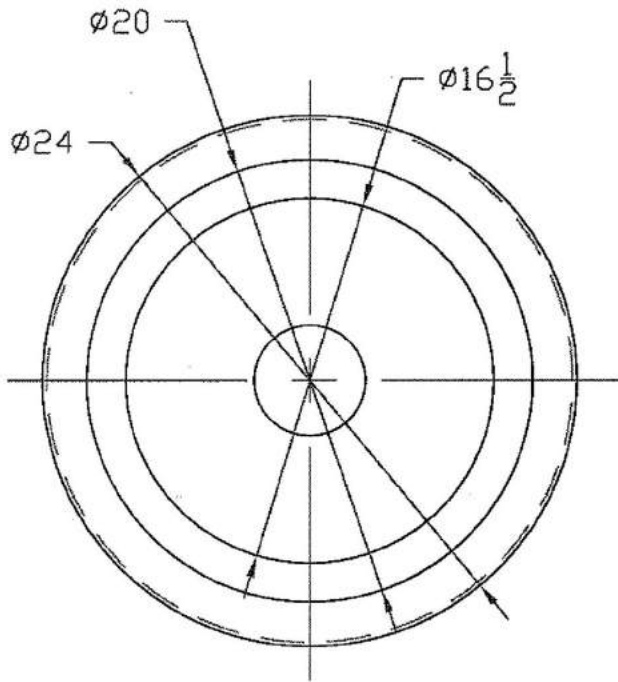


| REVISIONS | | | | |
|-----------|-----|-------------|------|----------|
| ZONE | REV | DESCRIPTION | DATE | APPROVED |
| | | | | |
| | | | | |



| | | | | |
|-----|---------|-------------------------------------|----------|---------|
| | | 60 GALLON INDUCTOR TANK X 24 DIA | | |
| JTP | 02APR04 | SIZE A | FSCM NO. | DWG NO. |
| | | SCALE 1/8 | SHEET | |