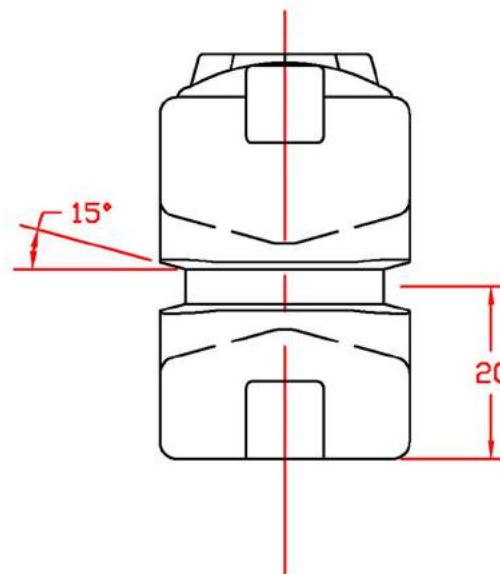
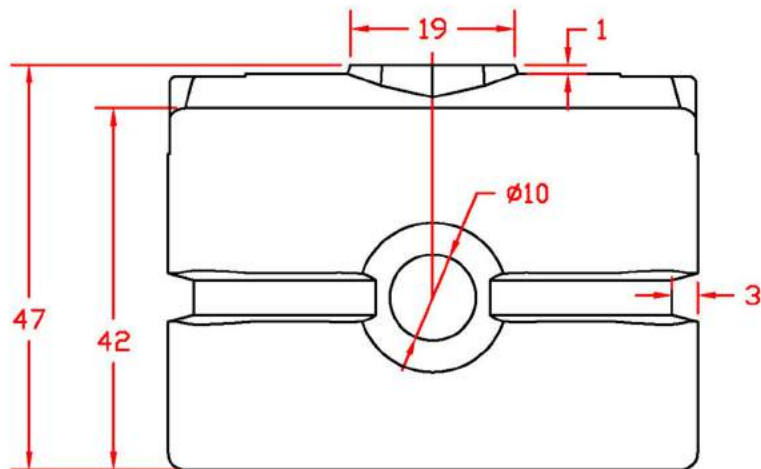


REVISIONS				
ZONE	REV	DESCRIPTION	DATE	APPROVED



300 GALLON  
FREESTANDING WATER TANK

JTP	11JUL03	SIZE B	FSCM NO.	DWG NO.	REV
SCALE 1/16			SHEET		