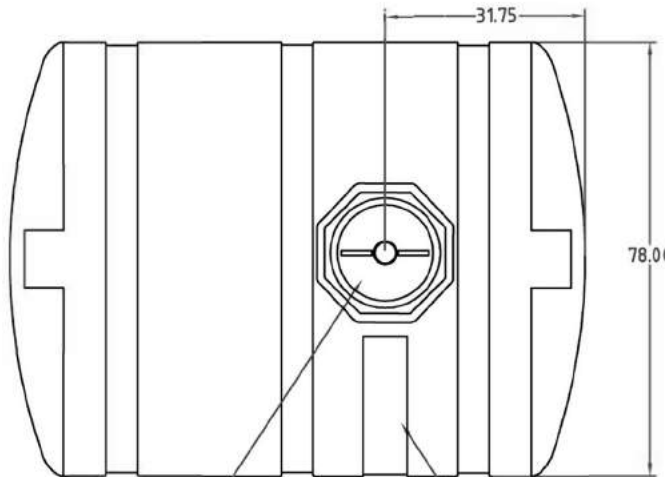
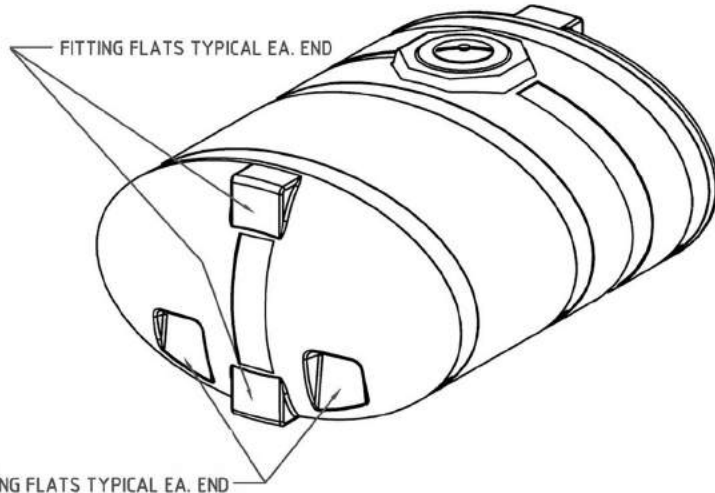


PROPRIETARY DATA

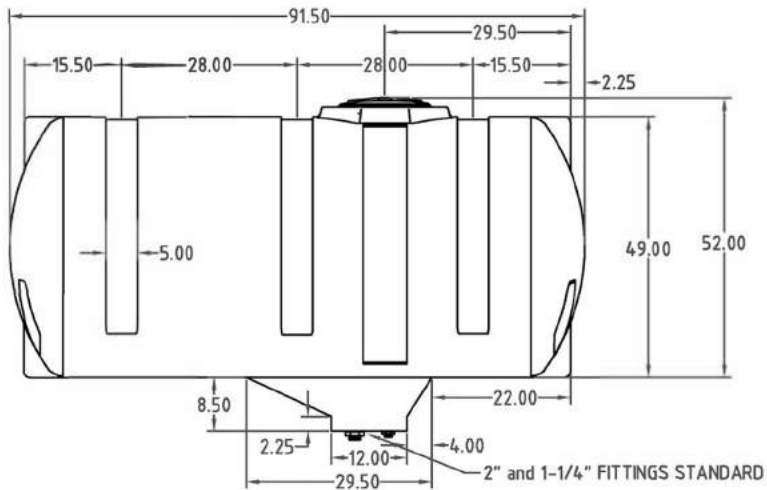
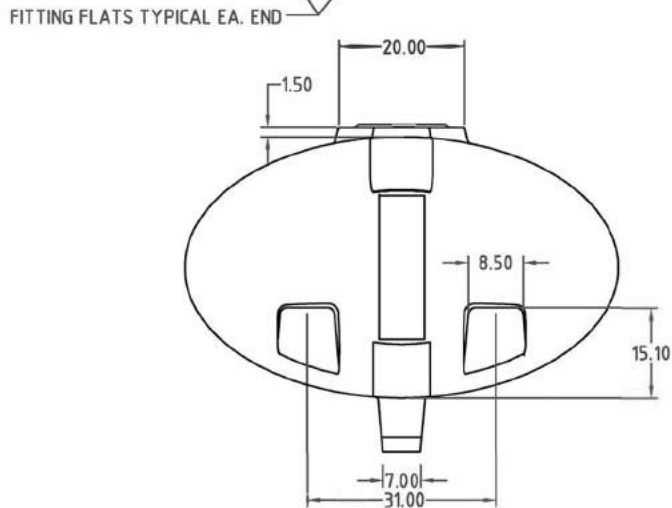
PROPERTY OF ACE ROTO-MOLD MFG., INC. INFORMATION FURNISHED HEREIN IS THE PROPERTY OF ACE ROTO-MOLD MFG., INC. AND SHALL NOT BE USED, DISCLOSED TO OTHERS, OR COPIED WITHOUT THE EXPRESSED WRITTEN CONSENT OF ACE ROTO-MOLD MFG., INC. ALL RIGHTS RESERVED.

A



STANDARD LID IS 16"

GALLON / LITER INDICATORS ONE SIDE AND ONE END
GALLON CALIBRATIONS ARE IN 50 GAL. INCREMENTS



2" and 1-1/4" FITTINGS STANDARD

		DRAWN / DATE DHJ/12/06		MATERIAL / SHOT WEIGHT					
		APPRD. / DATE ADH/11/12/07		M111	M134	U625	P93B		
A	UPDATE DIM	2/6/06		285				CLIENT / DESCRIPTION	
REV	DESCRIPTION	DATE	APPRD					ACE 1000 GALLON ELLIPTICAL TANK DEEP SUMP	
ALL DIMENSIONS ARE IN DECIMAL INCHES TOLERANCES UNLESS OTHERWISE SPECIFIED ± .5% @ 68° F				THIRD ANGLE PROJECTION ANSI 14.5M		NOTES: 1. .330 NOMINAL WALL		SCALE	PART NO.
								N.S.	