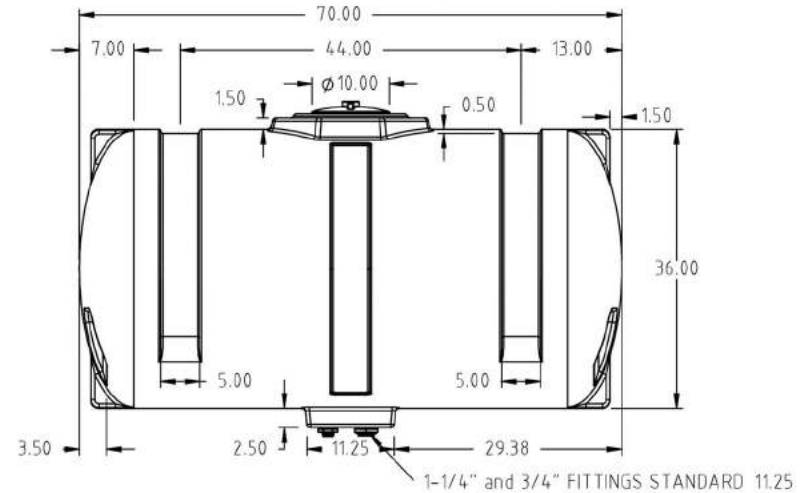
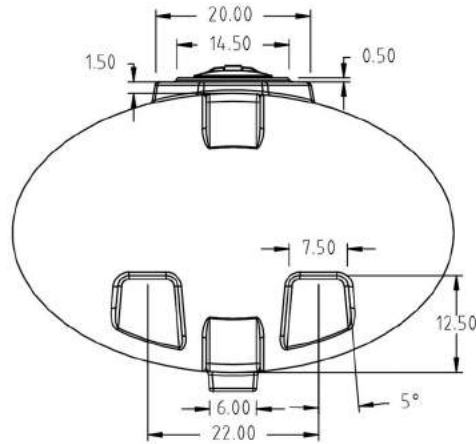


Ⓐ STANDARD LID IS 8"
5", 7", 16" LIDS AVAILABLE

GALLON / LITER INDICATORS ONE SIDE AND ONE END
GALLON CALIBRATIONS ARE IN 25 GAL. INCREMENTS



		DRAWN / DATE REH/4/16/01		MATERIAL	
A 5", 7", 16" LID OPTIONS ADDED TO NOTE DRAWING TEMPLATE UPDATED		ADH 5/7/12	2416	10420	
REV	DESCRIPTION	BY / DATE	CCN	APPRD. / DATE DHJ/4/16/01	
ALL DIMENSIONS ARE IN DECIMAL INCHES TOLERANCES UNLESS OTHERWISE SPECIFIED		THIRD ANGLE PROJECTION ANSI 14.5M		NOTES:	
POLYETHYLENE		METAL		1) .300 NOMINAL WALL	
±1% @ 68°F		DECIMAL ± .125" FRACTION ± 1/4" ANGLE ± 1°		DESCRIPTION 400 GALLON ELLIPTICAL TANK	
		SHOT WEIGHT: 127.00 LBS		SCALE N.S.	
		SHIPPING WEIGHT: 129.00 LBS		PART NO.	
		FINISH:			