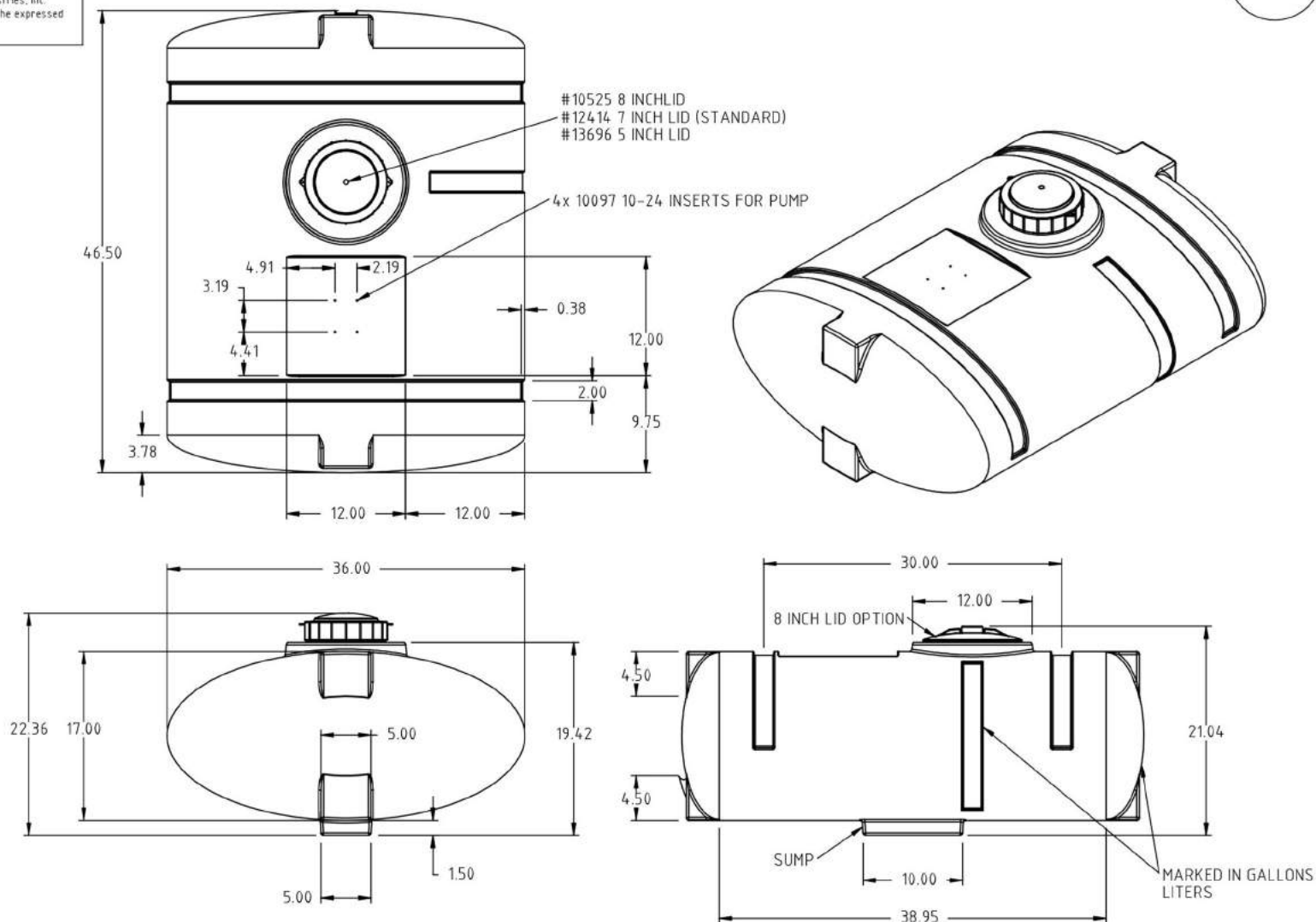


Copyright All information furnished within this document, electronic file or design correspondence is the property of Den Hartog Industries, Inc. and shall not be used, disclosed to others or copied without the expressed written consent of Den Hartog Industries, Inc.



				DRAWN / DATE DHJ 4/25/12	MATERIAL  POLYETHYLENE		
				APPRD. / DATE REH 3/5/13			
REV	DESCRIPTION	BY / DATE	CCN				
	ALL DIMENSIONS ARE IN DECIMAL INCHES TOLERANCES UNLESS OTHERWISE SPECIFIED	THIRD ANGLE PROJECTION ANSI 14.5M		SHOT WEIGHT: 40 LBS	NOTES:  1.) .25 WALL	DESCRIPTION 85 GALLON ELLIPTICAL	
	POLYETHYLENE			SHIPPING WEIGHT: 42 LBS		SCALE N.S.	PART NO.
	±1% @ 68°F			FINISH:			
	METAL DECIMAL ± .125" FRACTION ± 1/4" ANGLE ± 1°						