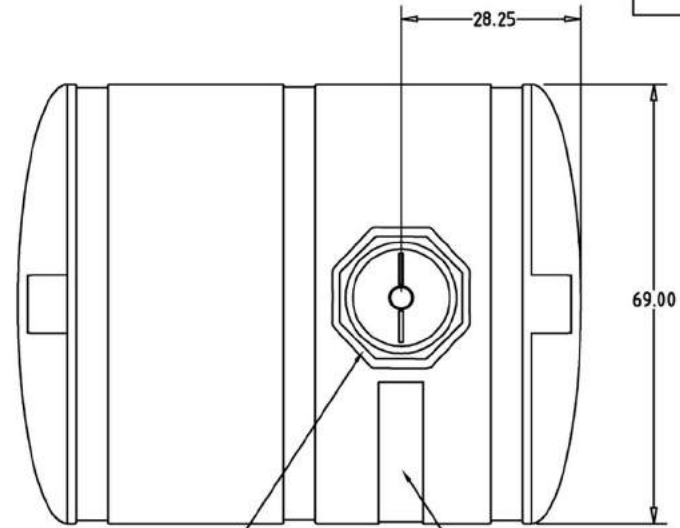


**PROPRIETARY DATA**

PROPERTY OF ACE ROTO-MOLD MFG., INC. INFORMATION FURNISHED HEREIN IS THE PROPERTY OF ACE ROTO-MOLD MFG., INC. AND SHALL NOT BE USED, DISCLOSED TO OTHERS, OR COPIED WITHOUT THE EXPRESSED WRITTEN CONSENT OF ACE ROTO-MOLD MFG., INC. ALL RIGHTS RESERVED.

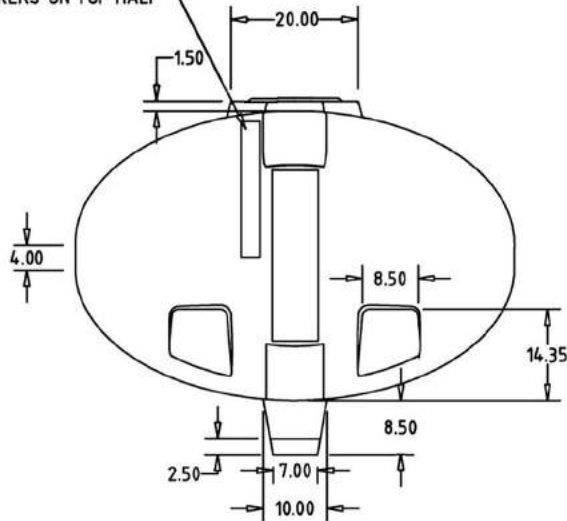
C



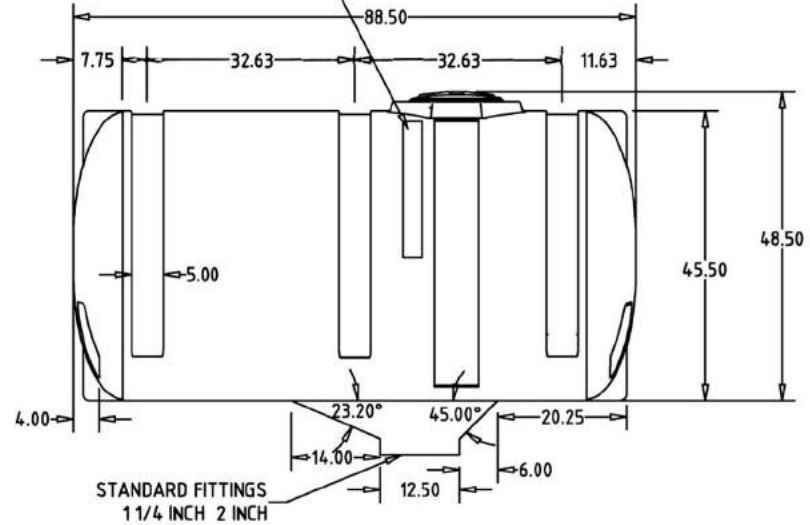
STANDARD LID IS 16"

GALLON / LITER INDICATORS ONE SIDE AND ONE END  
GALLON CALIBRATIONS ARE IN 50 GAL. INCREMENTS

MOLD ON GRAPHIC GALLON MARKERS ON TOP HALF



MOLD ON GRAPHIC GALLON MARKERS ON TOP HALF



STANDARD FITTINGS  
1 1/4 INCH 2 INCH

C	ADD 4" EXTENTION	9\1\03	DRAWN / DATE	MATERIAL / SHOT WEIGHT				CLIENT / DESCRIPTION
B	MOVE SUMP 11" OFF CENTER	7\9\03	REH/2/14/02	M111	M134	U625	P938	
A	ADD LARGE SUMP	7\1\03	APPRD. / DATE	ACE 850 GALLON ELLIPTICAL TANK DEEP SUMP				
REV	DESCRIPTION	DATE	APPRD	ADH/11/12/07	NOTES:			SCALE
ALL DIMENSIONS ARE IN DECIMAL INCHES TOLERANCES UNLESS OTHERWISE SPECIFIED ± .5% ● 68° F				THIRD ANGLE PROJECTION ANSI 14.5M	1. .340 NOMINAL WALL			PART NO.

ECA850S

(866) 776-8265

**PROTANK**

sales@protank.com