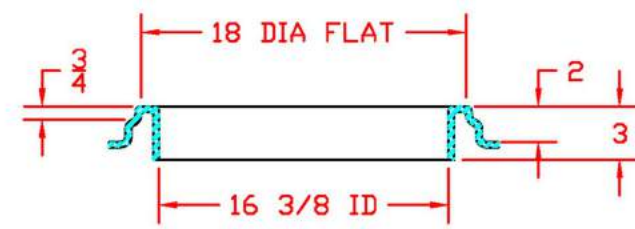
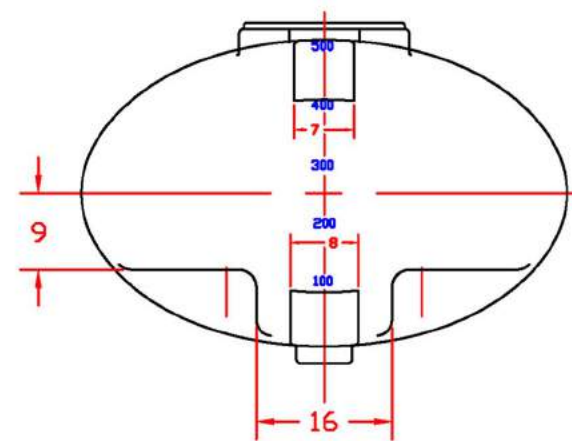
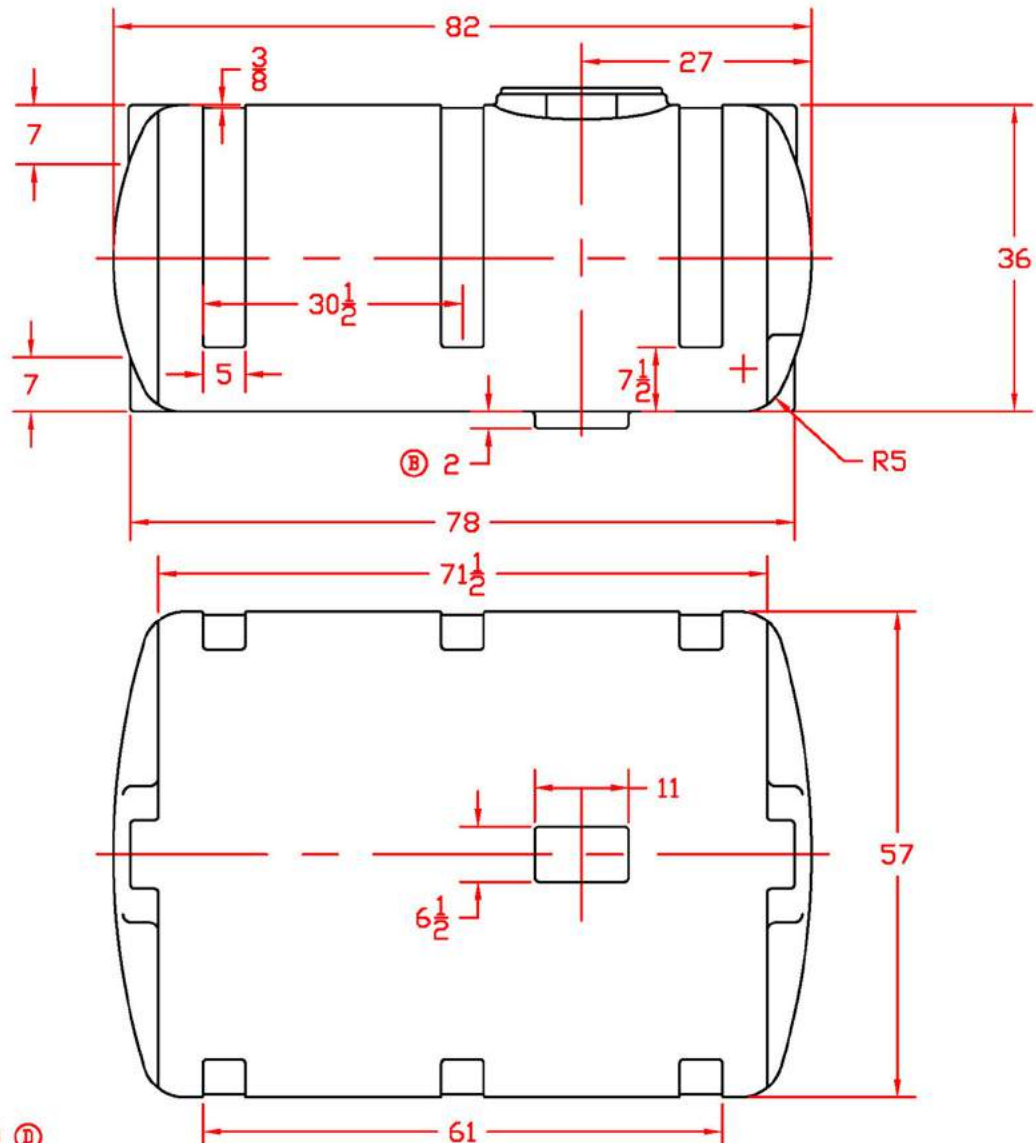


ZONE	REV	DESCRIPTION	DATE
	D	REMOVED GA	09JUN14
	E	ADDED GA	03FEB15

REVISIONS			
REV	DESCRIPTION	DATE	APPROVED
A	REDRAWN	15AUG97	
B	WAS 5	29DEC06	
C	ADDED GA	23OCT09	



FILLWELL DETAIL
1/8 SCALE

© ©
FOB ST. BONIFACIUS MN, TOOELE UT, HANFORD CA, GRIFFIN GA, & FAIRFIELD TX

500 GALLON ELLIPTICAL SPRAYER TANK			
JTP	15AUG97	SIZE B	FSCM NO.
SCALE 1/16		DWG NO.	REV E
SHEET			