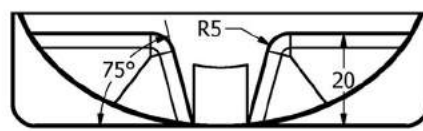
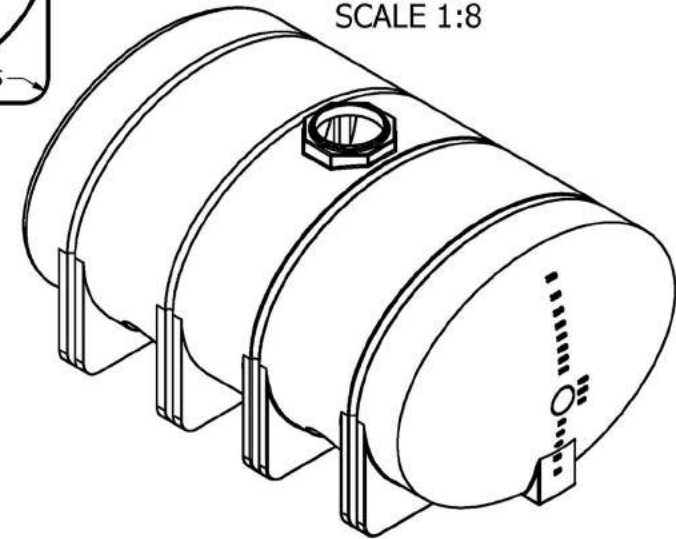


SECTION A-A  
SCALE 1:8



SECTION B-B  
SCALE 1:28



REVISION HISTORY			
REV	DESCRIPTION	DATE	AUTHOR
B	REDRAWN, SPRGR REV'D	10/22/1997	
C	REDRAWN, SPRGR REV'D	8/17/2004	
D	REDRAWN	8/6/2013	Michael Holden

DRAWN Jerry Paulson	10/22/1997	TITLE	
CHECKED		2635 GALLON ELLIPTICAL LEG TANK	
QA		SIZE B	DWG NO
MFG		SCALE: 1/16	REV D
APPROVED		SHEET 1 OF 2	

FOB: GRIFFIN, GA LANCASTER, OH TOOEELE, UT