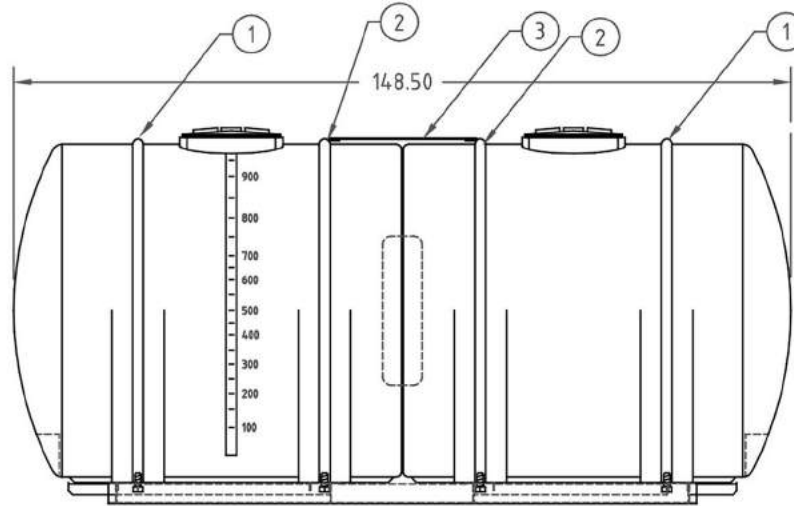


Copyright. All information furnished within this document, electronic file or design correspondence is the property of Den Hartog Industries, Inc. and shall not be used, disclosed to others or copied without the expressed written consent of Den Hartog Industries, Inc.

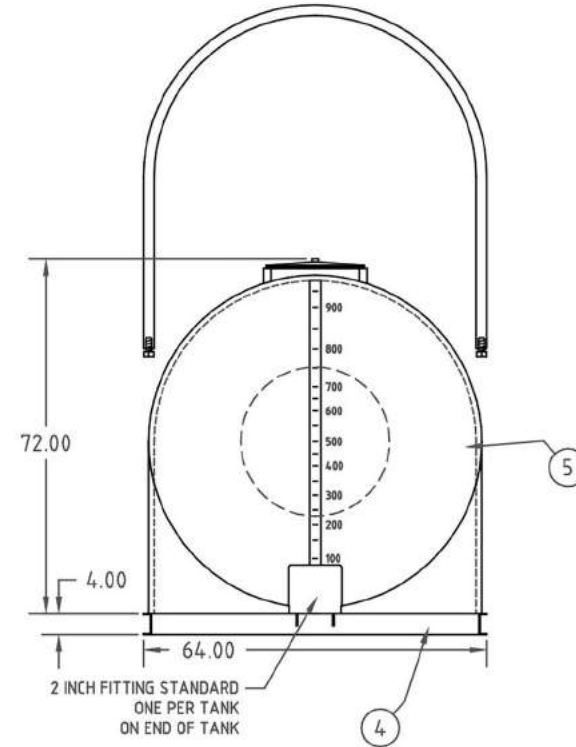
#	DESCRIPTION	PART NO.
1	2 HOOPS	FS062-HP-925
2	2 HOOPS	FS062-HP-1800C
3	CONECT PLATE	FS-1800-CP
4	SKID	FS1800-SKW
5	2TANKS NO/SUMP	FS00900-FW

FS1800-2W

B



1800 GAL. TOTAL - TWO TANKS



CAUTION: TWO COMPARTMENT TANKS MUST BE PLUMBED TO DRAIN EQUALLY. DO NOT USE TANKS AS INDIVIDUAL STORAGE COMPARTMENTS.

B	TANKS WERE FSA0900-FW FSB0900-FW	DHJ 5/15/09	1857	DRAWN / DATE	MATERIAL	HDPE OR EQUIVALENT REFERENCE MATERIAL DATA SHEET FOR SPECIFIC PROPERTIES.
A	TANK WAS FS0925-DW	GWC 3/19/07	1293	DHJ 11/7/06		
A	REMOVE TOLERANCE	GWC 3/19/07		APPRD. / DATE		
REV	DESCRIPTION	BY / DATE	CCN	REH 4/11/07		
ALL DIMENSIONS ARE IN DECIMAL INCHES TOLERANCES UNLESS OTHERWISE SPECIFIED		THIRD ANGLE PROJECTION ANSI 14.5H		SHOT WEIGHT:	NOTES:	DESCRIPTION 1800 GALLON FREE STANDING TANK
POLYETHYLENE	METAL DECIMAL ± .125" FRACTION ± 1/4" ANGLE ± 1°			SHIPPING WEIGHT:		
±1% @ 68° F				FINISH:		
						SCALE N.S.
						PART NO.