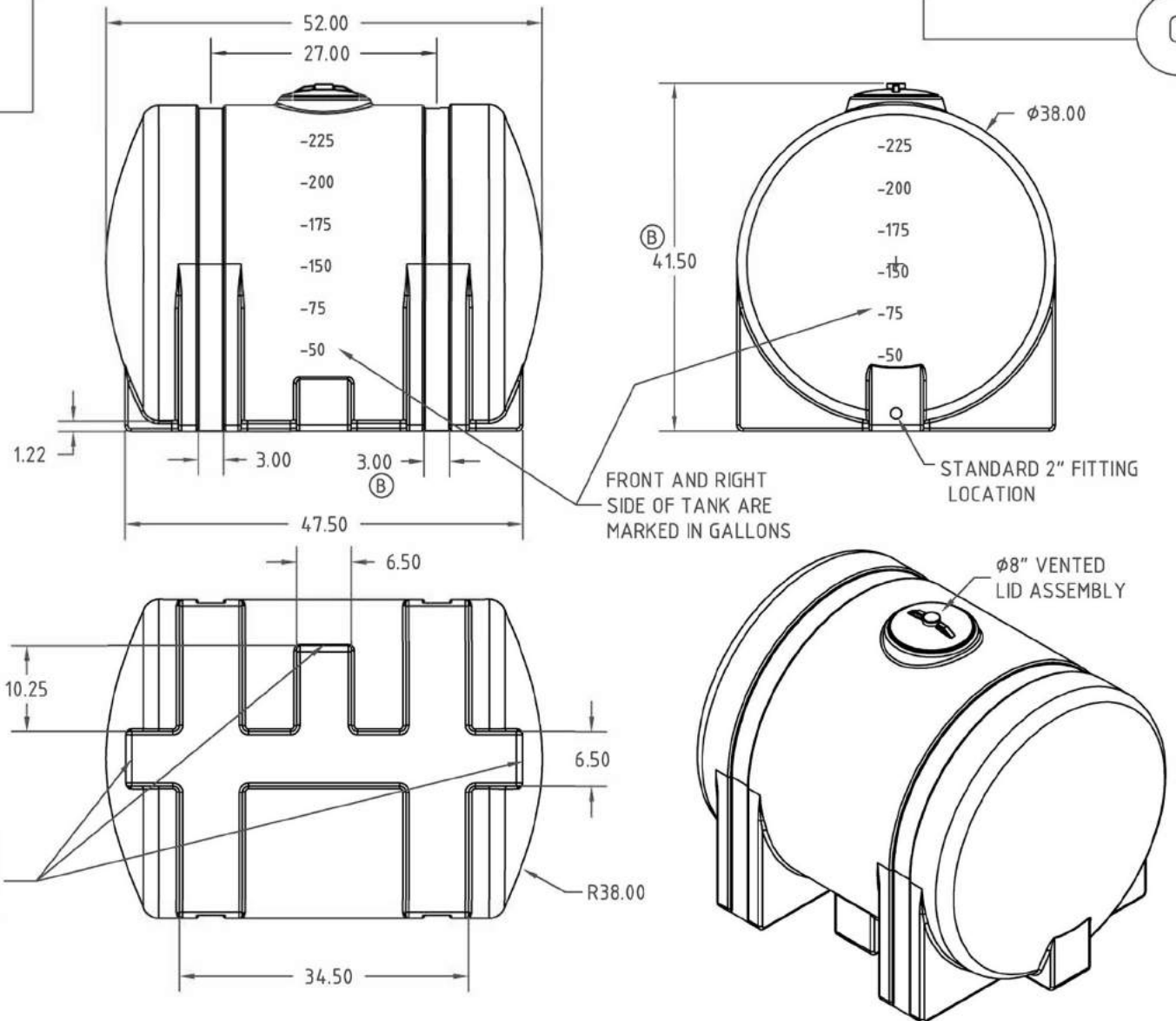


PROPRIETARY DATA

PROPERTY OF DEN HARTOG INDUSTRIES, INC. INFORMATION FURNISHED HEREIN IS THE PROPERTY OF DEN HARTOG INDUSTRIES, INC. AND SHALL NOT BE USED, DISCLOSED TO OTHERS, OR COPIED WITHOUT THE EXPRESSED WRITTEN CONSENT OF DEN HARTOG INDUSTRIES, INC. ALL RIGHTS RESERVED.



TANK FITTING CAN BE INSTALLED IN ANY OF THESE 3 SUMP LOCATIONS

C	ADDED STANDARD FITTING LOCATION	12/9/08	DHJ	1765	DRAWN / DATE DHJ 3/11/94	MATERIAL	HDPPE OR EQUIVALENT REFERENCE MATERIAL DATA SHEET FOR SPECIFIC PROPERTIES.	CLIENT / DESCRIPTION 225 GALLON FREE-STANDING TANK
B	WIDTH WAS 25 AND HEIGHT WAS 43	7/25/06	NVE		APPRD. / DATE ADH 3/11/94			
A	NEW DRAWING FORMAT	10/11/05	NVE					
REV	DESCRIPTION	DATE	APPRD	CCN				SCALE N.S.
ALL DIMENSIONS ARE IN DECIMAL INCHES TOLERANCES UNLESS OTHERWISE SPECIFIED + 1% @ 68° F					THIRD ANGLE PROJECTION ANSI 14.5M 		NOTES: 1. NOM. WALL @ 0.27 2. BLACK, WHITE, OR YELLOW COLOR 3. SHOT WEIGHT 85 LBS.	
							PART NO.	