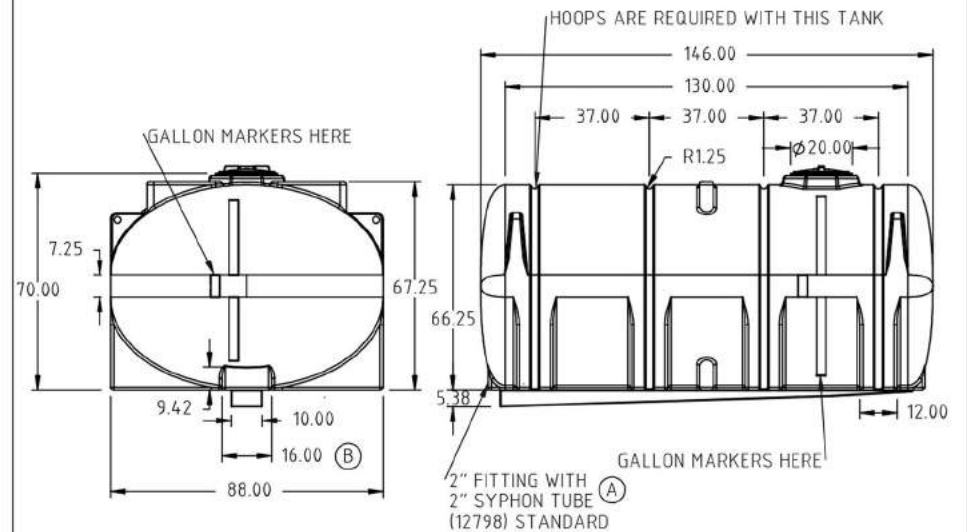
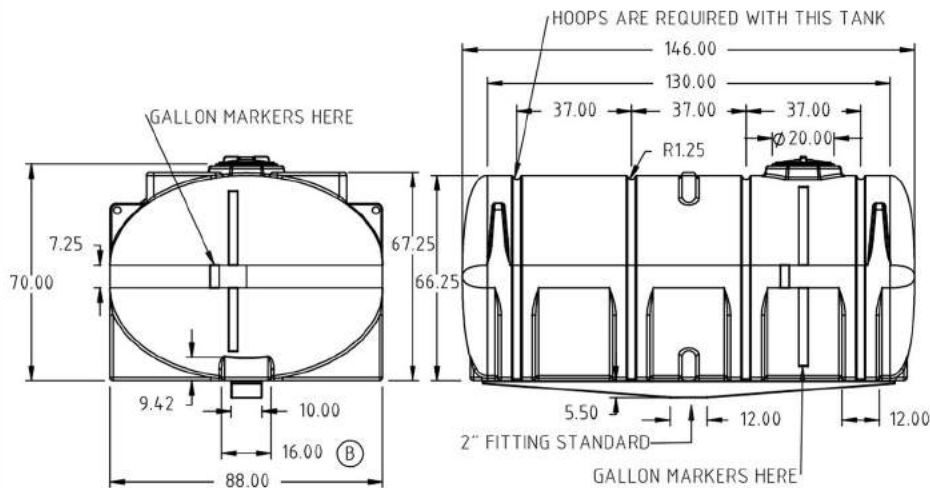
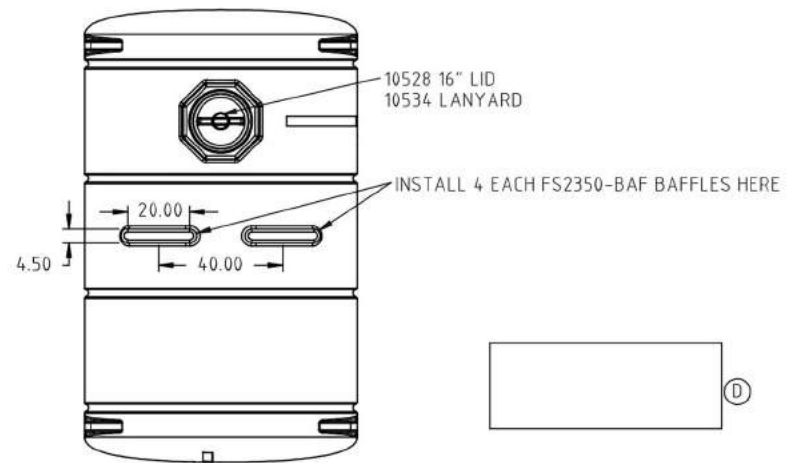
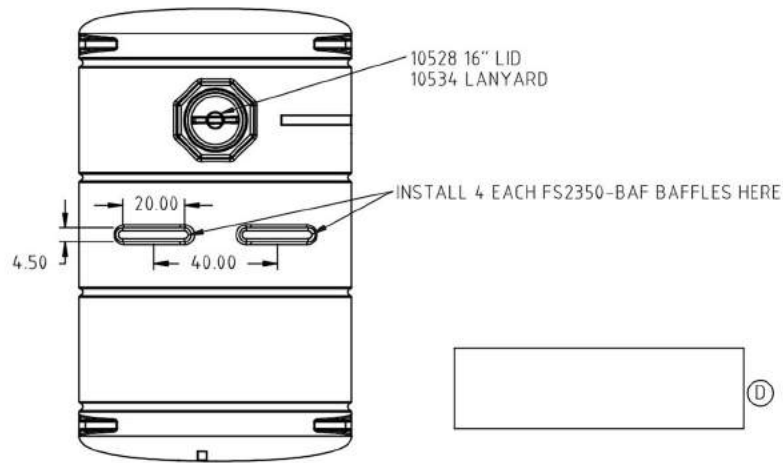


Copyright All information furnished within this document, electronic file or design correspondence is the property of Den Hartog Industries, Inc. and shall not be used, disclosed to others or copied without the expressed written consent of Den Hartog Industries, Inc.



D	NOTE PART NUMBERS CORRECTED. HAD SHOWN FM2350-88C AND FM2350-88E 1/21/12 WAS INCORRECTLY SHOWN AS 12/27/12.	ADH 6/5/13	2630					
C		ADH 11/8/12	2468	DRAWN / DATE	MATERIAL			
B	16.00" WAS 12.00" (C)	ADH 1/27/12	2358	ADH 4/19/10	10538 NATURAL			
A	SYPHON TUBE NOTE UPDATED	ADH 5/9/11	2212	APPRD. / DATE				
REV	DESCRIPTION	BY / DATE	CCN	REH 4/19/10				
ALL DIMENSIONS ARE IN DECIMAL INCHES TOLERANCES UNLESS OTHERWISE SPECIFIED		THIRD ANGLE PROJECTION ANSI 14.5M		SHOT WEIGHT: 1060 LBS.	NOTES: 1.) 0.500 NOMINAL WALL 2.) BLUE, BLACK, WHITE OR YELLOW COLOR	DESCRIPTION 2750 GALLON ELLIPTICAL LEG TANK WITH SUMP		
POLYETHYLENE	METAL DECIMAL ± .125" FRACTION ± 1/4" ANGLE ± 1°	SHIPPING WEIGHT: 1150 LBS.		FINISH:		SCALE N.S.	PART NO.	
±1% @ 68°F								