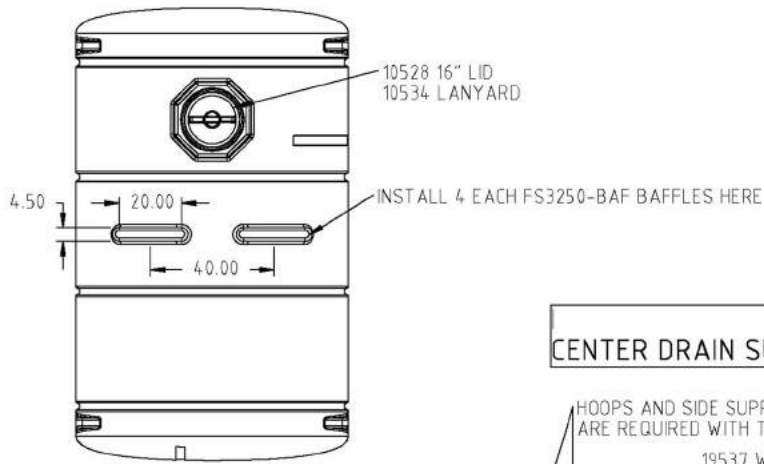
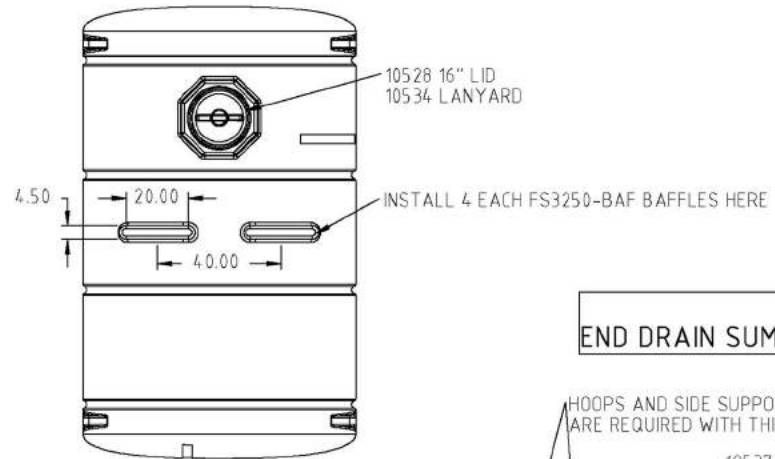


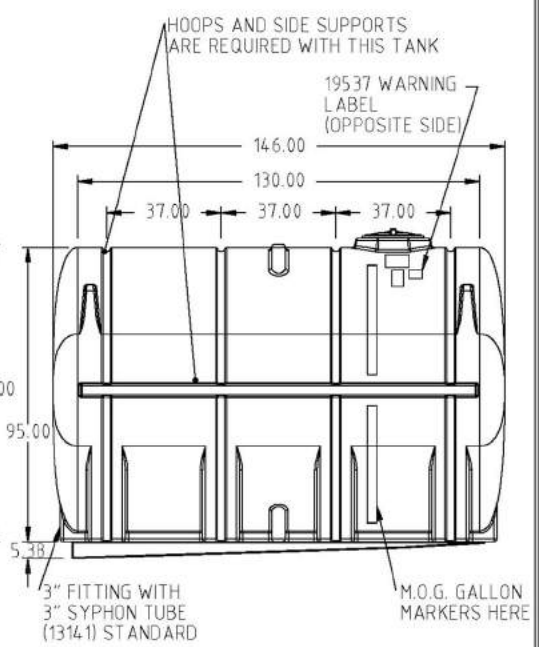
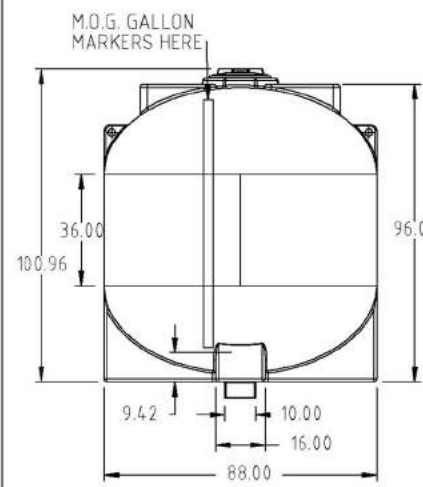
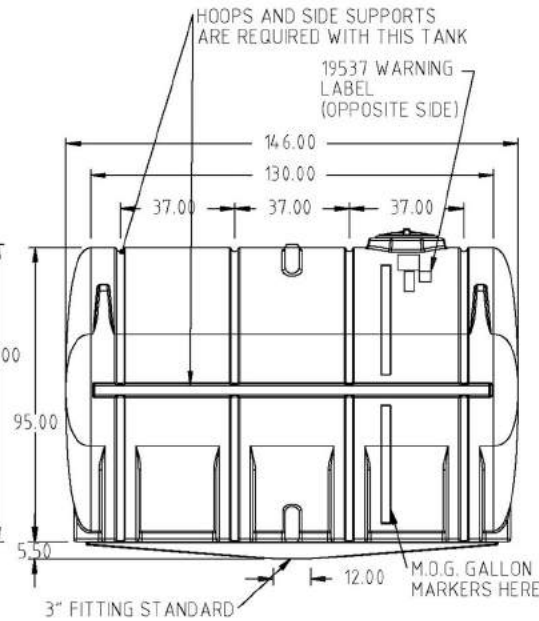
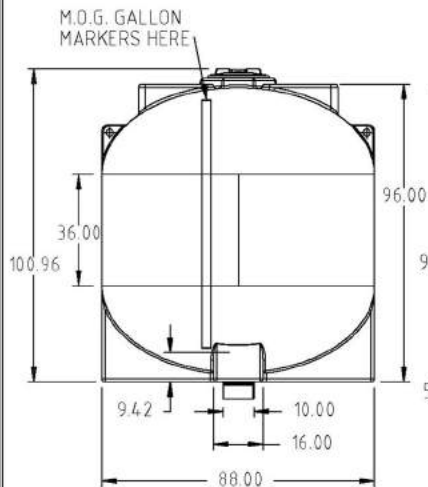
Copyright: All information furnished within this document, electronic file or design correspondence is the property of Den Hartog Industries, Inc. and shall not be used, disclosed to others or copied without the expressed written consent of Den Hartog Industries, Inc.



CENTER DRAIN SUMP



END DRAIN SUMP



REV		DESCRIPTION	BY / DATE	CCN	DRAWN / DATE ADH 10/25/11	MATERIAL 10538 NATURAL	DESCRIPTION 4250 GALLON ELLIPTICAL LEG TANK WITH SUMP
					APPRD. / DATE REH 7/18/12		
ALL DIMENSIONS ARE IN DECIMAL INCHES TOLERANCES UNLESS OTHERWISE SPECIFIED POLYETHYLENE METAL DECIMAL ± .125" FRACTION ± 1/4" ANGLE ± 1°			THIRD ANGLE PROJECTION ANSI 14.5M		SHOT WEIGHT: 1465 LBS. SHIPPING WEIGHT: 1617 LBS. FINISH:	NOTES: 1.) 0.600 NOMINAL WALL 2.) BLUE, BLACK, WHITE OR YELLOW COLOR	SCALE N.S.
							PART NO.