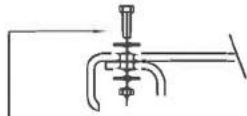
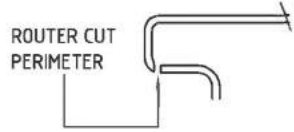
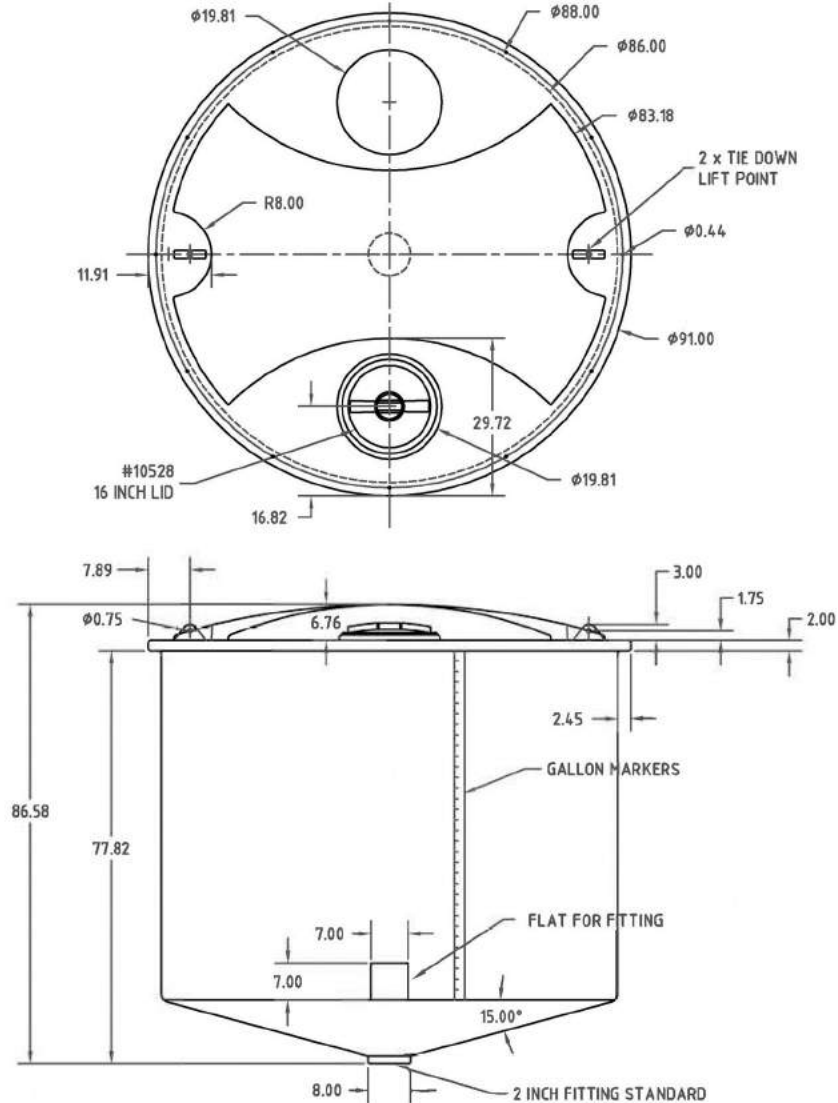


Copyright: All information furnished within this document, electronic file or design correspondence is the property of Den Hartog Industries, Inc. and shall not be used, disclosed to others or copied without the expressed written consent of Den Hartog Industries, Inc.

LID TRIM AND FASTENING DETAIL



3/8" X 1-1/2" HEX BOLT, 3/8" FLATWASHERS AND HEX NUT 12 PLACES



				DRAWN / DATE DHJ 4/27/11	MATERIAL 10420	
				APPRD. / DATE REH 5/10/11		
REV	DESCRIPTION	BY / DATE	CCN			
	ALL DIMENSIONS ARE IN DECIMAL INCHES TOLERANCES UNLESS OTHERWISE SPECIFIED			SHOT WEIGHT: 284 LBS.	NOTES: 1. 290 THICK AT BOTTOM SIDE WALL	DESCRIPTION 1710 GALLON CONE BOTTOM OPEN TOP TANK
	POLYETHYLENE			SHIPPING WEIGHT: 286 LBS.		SCALE N.S.
	METAL DECIMAL ± .125" FRACTION ± 1/4" ANGLE ± 1°			FINISH:		PART NO.