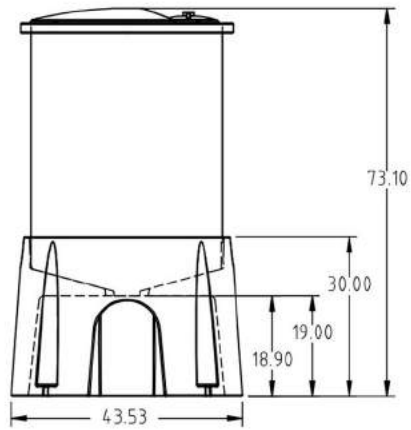
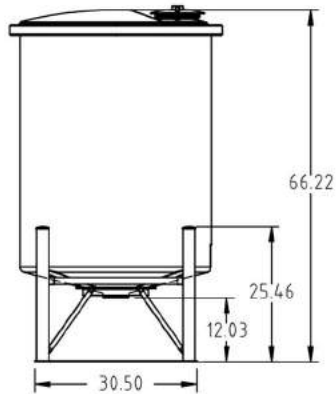


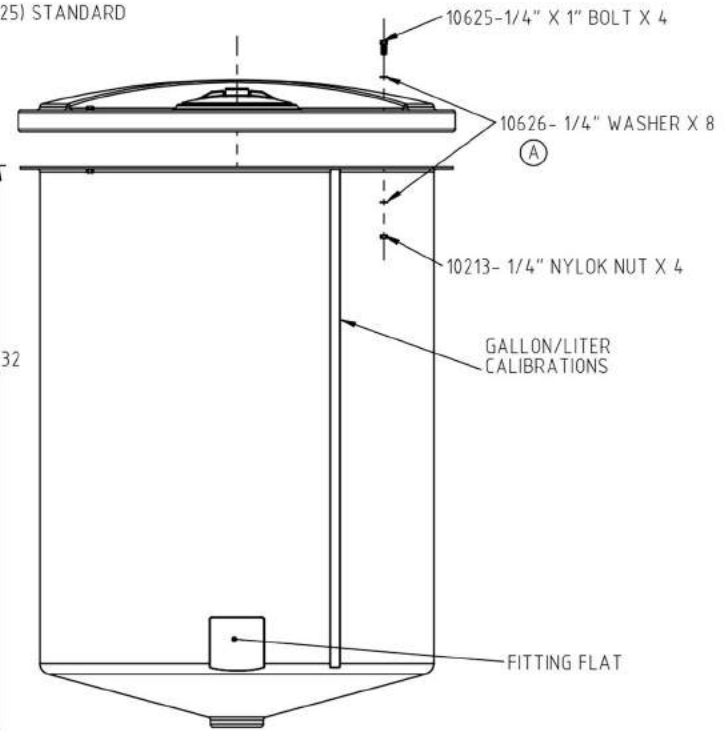
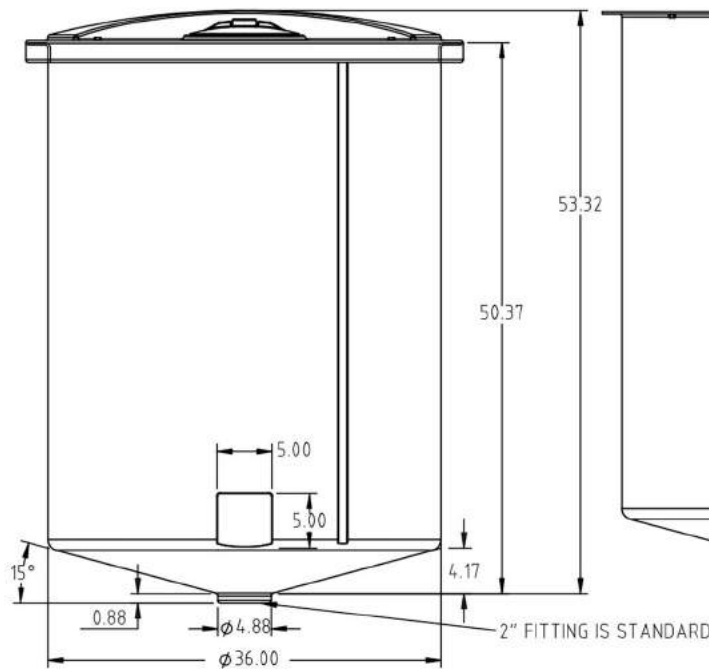
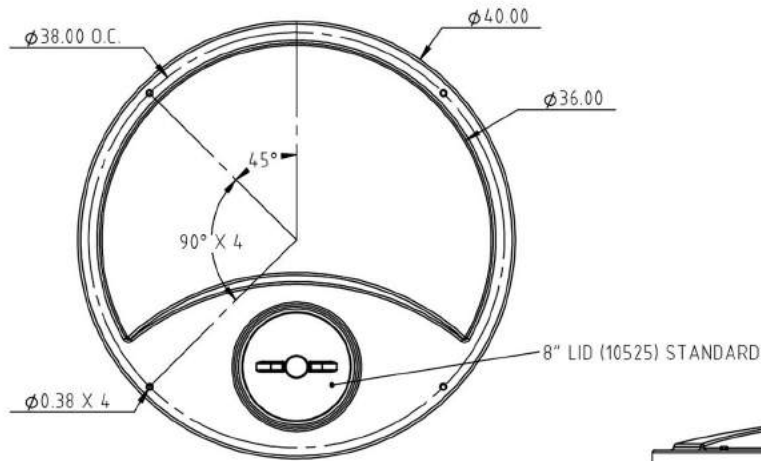
Copyright. All information furnished within this document, electronic file or design correspondence is the property of Den Hartog Industries, Inc. and shall not be used, disclosed to others or copied without the expressed written consent of Den Hartog Industries, Inc.



OC036-STP POLY STAND



CB036-15ST METAL STAND



				DRAWN / DATE ADH 2/11/11	MATERIAL 10420		
A	10626 WAS SJ10067	ADH 10/26/11	2311	APPRD. / DATE REH 4/18/11			
REV	DESCRIPTION	BY / DATE	CCN				
ALL DIMENSIONS ARE IN DECIMAL INCHES TOLERANCES UNLESS OTHERWISE SPECIFIED		THIRD ANGLE PROJECTION ANSI 14.5M		SHOT WEIGHT: 56.00 LBS	NOTES: 1.) 0.20 WALL THICKNESS	DESCRIPTION 36" DIA. X 200 GALLON CONE BOTTOM- OPEN TOP	
POLYETHYLENE		METAL		SHIPPING WEIGHT: 58.00 LBS		SCALE N.S.	PART NO.
±1% @ 68°F		DECIMAL ± .125" FRACTION ± 1/4" ANGLE ± 1°		FINISH:			