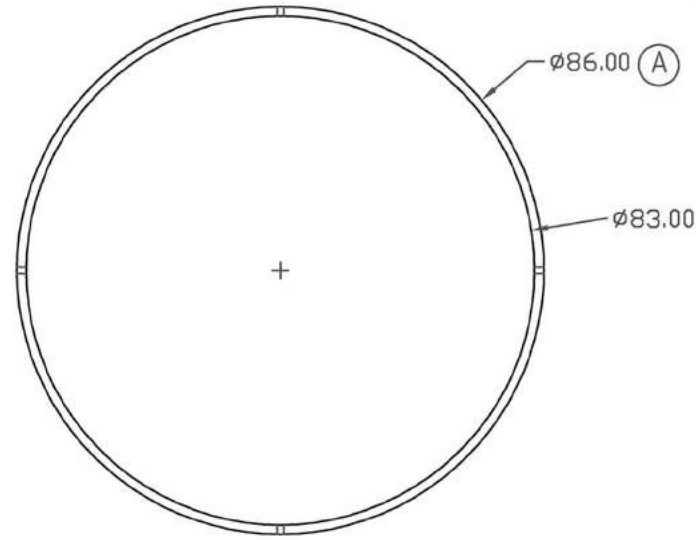


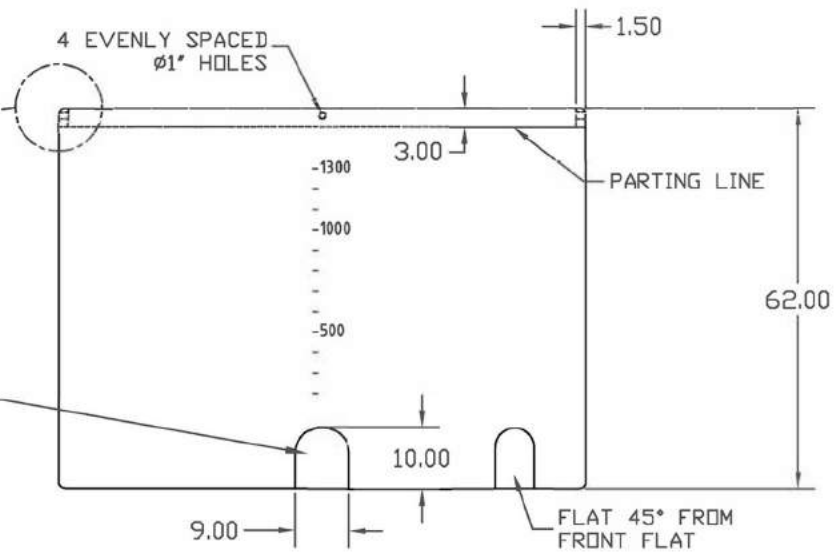
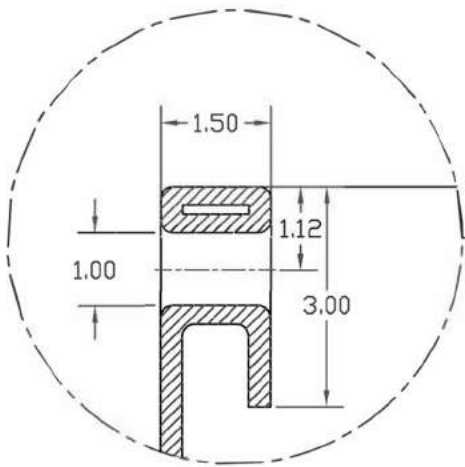
PROPRIETARY DATA

PROPERTY OF DEN HARTOG INDUSTRIES, INC. INFORMATION FURNISHED HEREIN IS THE PROPERTY OF DEN HARTOG INDUSTRIES, INC. AND SHALL NOT BE USED, DISCLOSED TO OTHERS, OR COPIED WITHOUT THE EXPRESSED WRITTEN CONSENT OF DEN HARTOG INDUSTRIES, INC. ALL RIGHTS RESERVED.

B



DETAIL OF RIM (B)



B		CLARIFY THROUGH HDL E 4 / 8 / 0 8	DHJ	1643	DRAWN / DATE NVE 6/13/05	MATERIAL HDPE OR EQUIVALENT REFERENCE MATERIAL DATA SHEET FOR SPECIFIC PROPERTIES.	CLIENT / DESCRIPTION 1350 GALLON OPEN TOP TANK - NO LID
A		DIA WAS 85, PN WAS 0P1350-85	7/31/06	NVE	APPRD. / DATE DHJ 6/22/05	NOTES: 1. .260 WALL THICKNESS AT FITTING 2. SHOT WEIGHT 217 LBS. 3. SHIP WEIGHT 217 LBS.	
REV	DESCRIPTION	DATE	APPRD	CCN	THIRD ANGLE PROJECTION ANSI 14.5M		SCALE N.S.
ALL DIMENSIONS ARE IN DECIMAL INCHES TOLERANCES UNLESS OTHERWISE SPECIFIED ± 1% @ 68° F							PART NO.