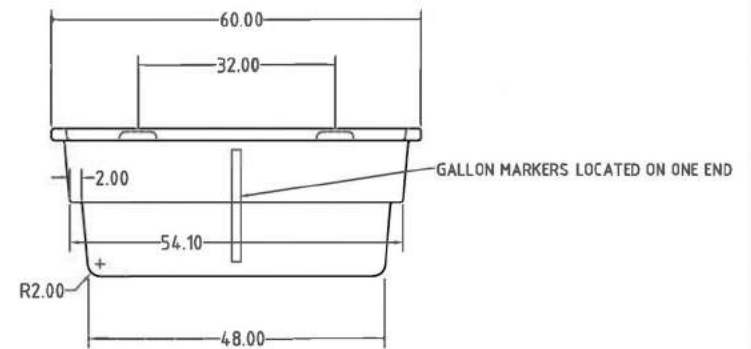
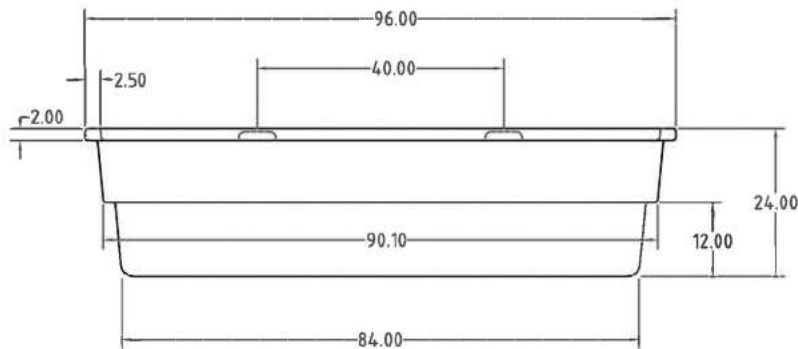
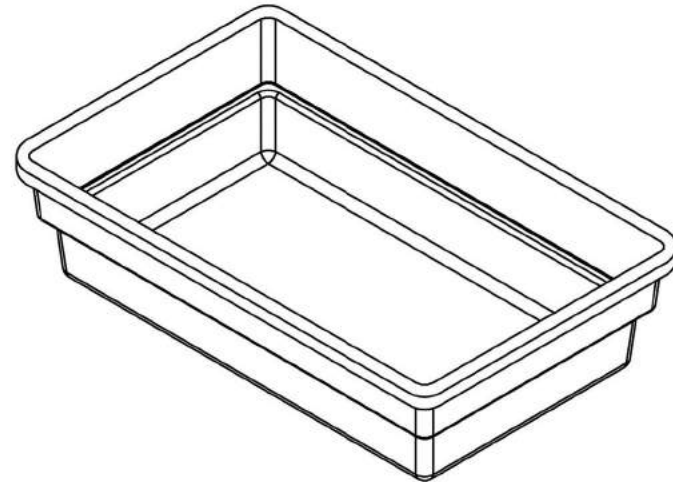
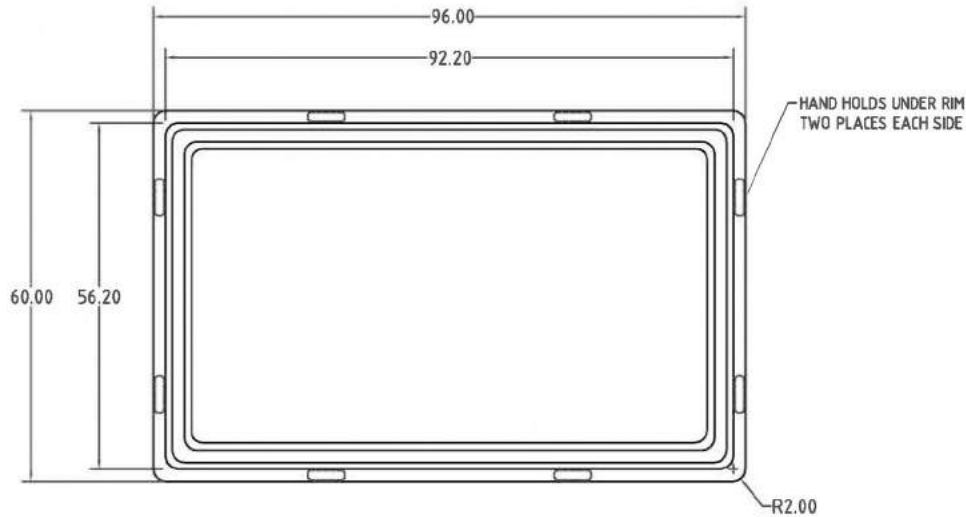


PROPRIETARY DATA

INFORMATION FURNISHED HEREIN IS THE PROPERTY OF DEN HARTOG INDUSTRIES INC. AND SHALL NOT BE USED, DISCLOSED TO OTHERS, OR COPIED WITHOUT EXPRESSED WRITTEN CONSENT OF DEN HARTOG IND. ALL RIGHTS RESERVED.



				DRAWN /DATE DHJ 10/3/07 APPRD. /DATE REH 11/9/07	MATERIAL SHOT WEIGHT = 115 LBS. = .25 WALL 10538 2 MELT NATURAL RESIN		
REV	DESCRIPTION	DATE APPRD.	CCN	THIRD ANGLE PROJECTION ANSI 14.5M	NOTES:	CLIENT / DESCRIPTION 325 GALLON CONTAINMENT TANK	
ALL DIMENSIONS ARE IN DECIMAL INCHES TOLERANCES UNLESS OTHERWISE SPECIFIED ± 1 % @ 68°F						SCALE NONE	PART NO.

OCA325-RT

(866) 776-8265

PROTANK

sales@protank.com