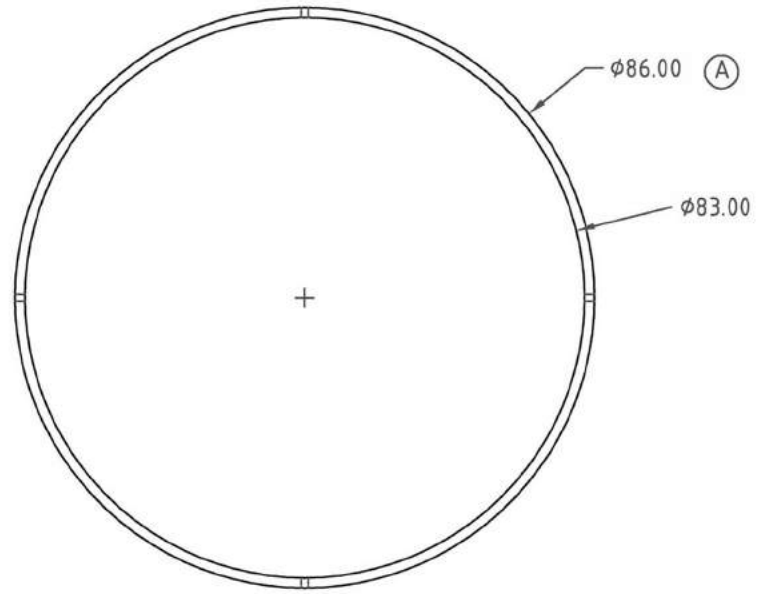


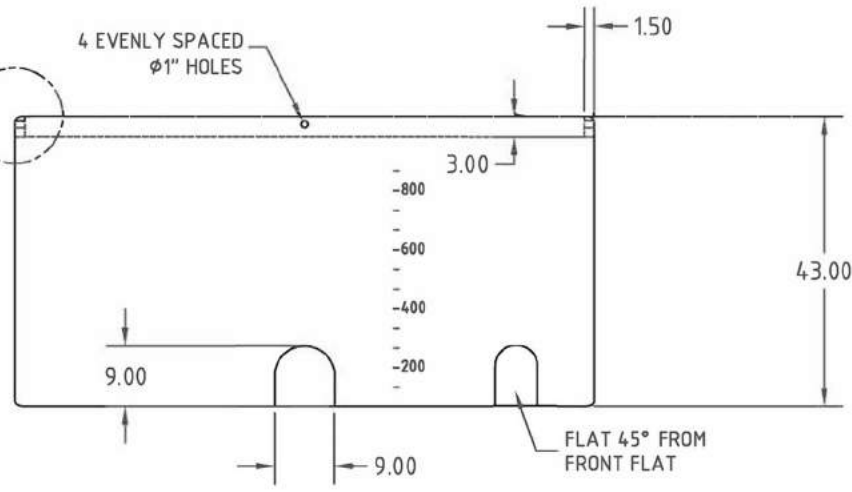
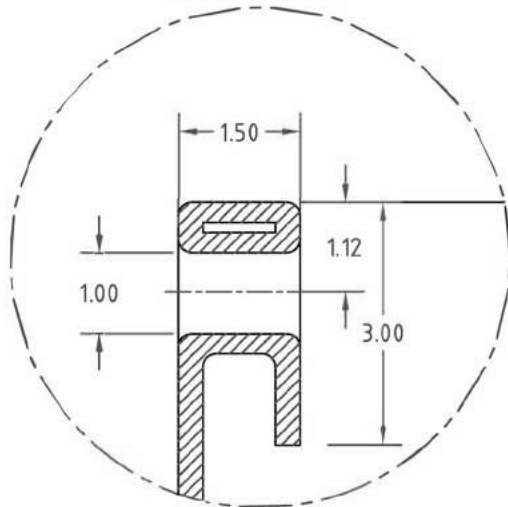
PROPRIETARY DATA

PROPERTY OF DEN HARTOG INDUSTRIES, INC. INFORMATION FURNISHED HEREIN IS THE PROPERTY OF DEN HARTOG INDUSTRIES, INC. AND SHALL NOT BE USED, DISCLOSED TO OTHERS, OR COPIED WITHOUT THE EXPRESSED WRITTEN CONSENT OF DEN HARTOG INDUSTRIES, INC. ALL RIGHTS RESERVED.

B



DETAIL OF RIM (B)



				DRAWN / DATE NVE 6/13/05	MATERIAL HDPE OR EQUIVALENT REFERENCE MATERIAL DATA SHEET FOR SPECIFIC PROPERTIES.	CLIENT / DESCRIPTION 900 GALLON OPEN TOP TANK - NO LID	
B	CLARIFY THROUGH HOLE	4/8/08	DH	1643			
A	DIAMETER WAS 85, PN WAS QP0900-85	7/31/06	NVE		APPRD. / DATE DHJ 6/22/05		
REV	DESCRIPTION	DATE	APPRD	CCN		SCALE N.S.	PART NO.
ALL DIMENSIONS ARE IN DECIMAL INCHES TOLERANCES UNLESS OTHERWISE SPECIFIED ± 1% @ 68° F				THIRD ANGLE PROJECTION ANSI 14.5M 		NOTES: 1. .190 WALL THICKNESS AT FLAT 2. SHOT WEIGHT 175 LBS. 3. SHIP WEIGHT 175 LBS.	