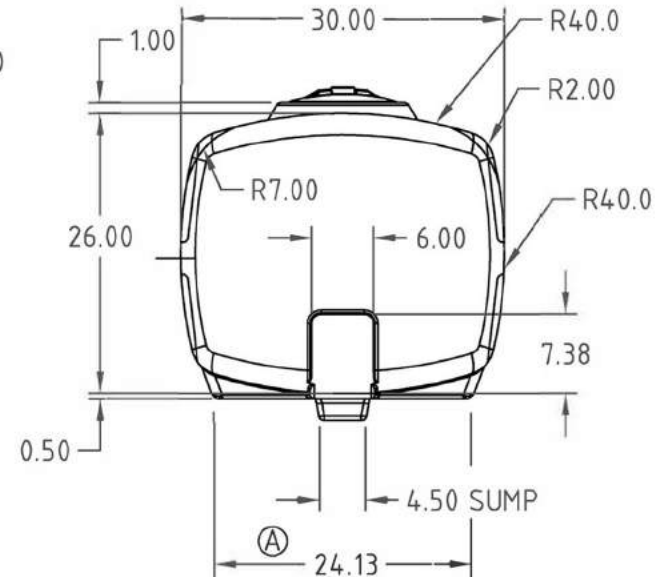
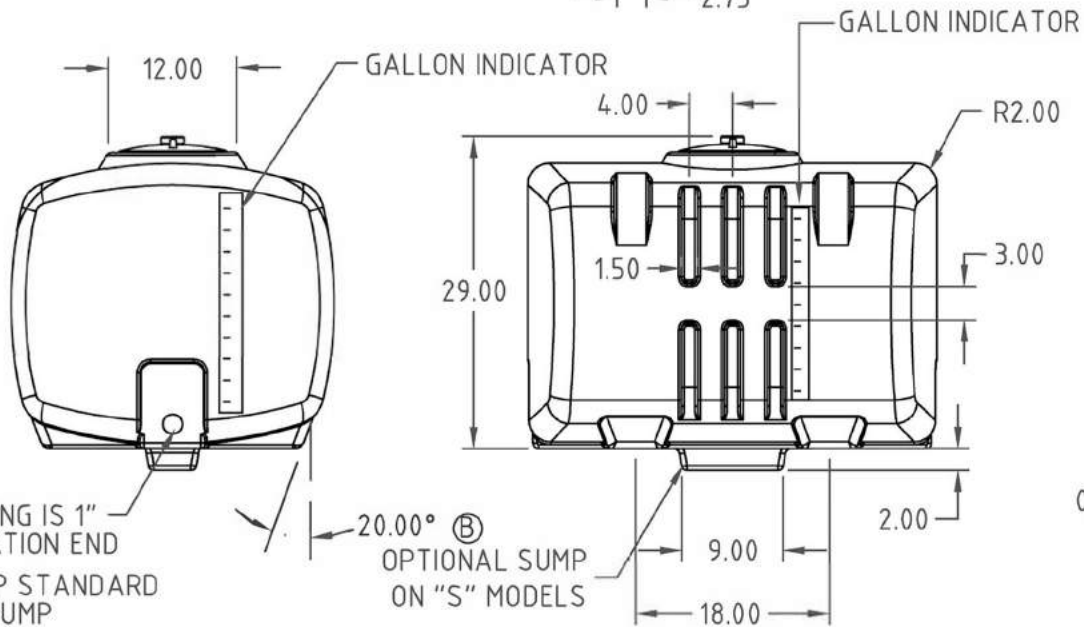
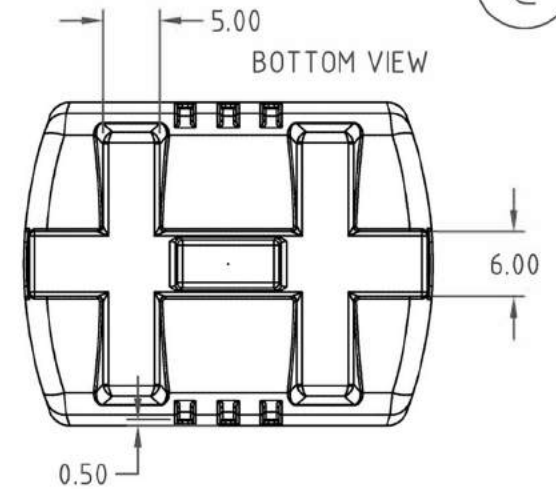
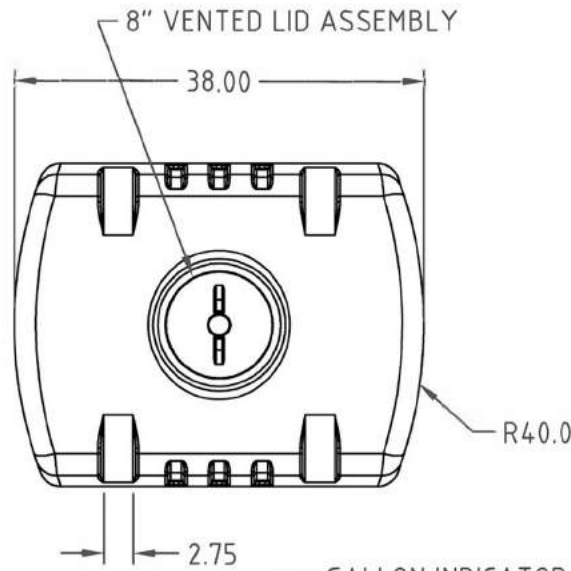


© DEN HARTOG INDUSTRIES, INC.

Copyright. All information furnished within this document, electronic file or design correspondence is the property of Den Hartog Industries, Inc. and shall not be used, disclosed to others or copied without the expressed written consent of Den Hartog Industries, Inc.



STANDARD FITTING IS 1" STANDARD LOCATION END
TANK WITH SUMP STANDARD LOCATION IS IN SUMP

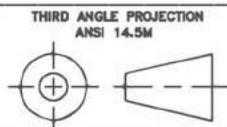
20.00° [ⓑ] OPTIONAL SUMP ON "S" MODELS

C	24.13 WAS 23.75	CCN1805	REH 2/18/09	DRAWN / DATE
B	"S" MODEL WAS "M"	CCN 1533	ADH 11/29/07	REH / 5/8/02
A	CLARIFY FITTING LOCATIONS		2/17/06	APPRD. / DATE
REV	DESCRIPTION	DATE	APPRD	DHJ / 5/8/02

MATERIAL	
50 LB. MOBIL 134	

CLIENT / DESCRIPTION	
100 GALLON PCO TANK	
SCALE	PART NO.
N.S.	

ALL DIMENSIONS ARE IN DECIMAL INCHES
TOLERANCES UNLESS OTHERWISE SPECIFIED
± 1% @ 68° F



NOTES:
1. NATURAL COLOR
2. NOM. WALL .260