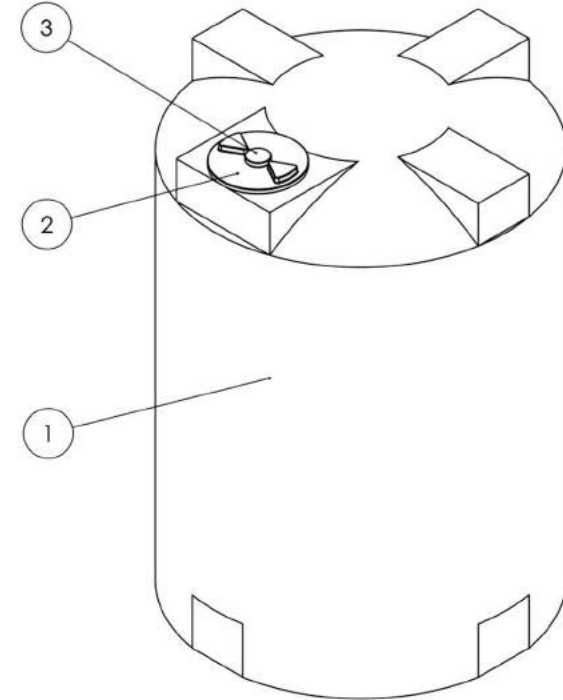
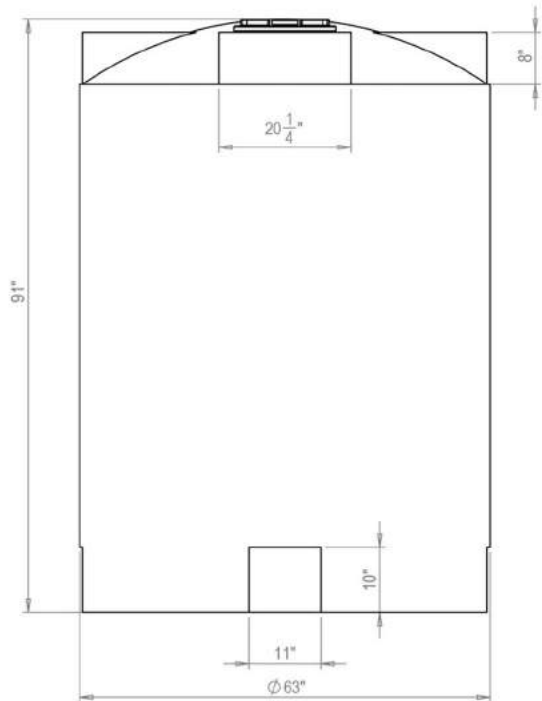
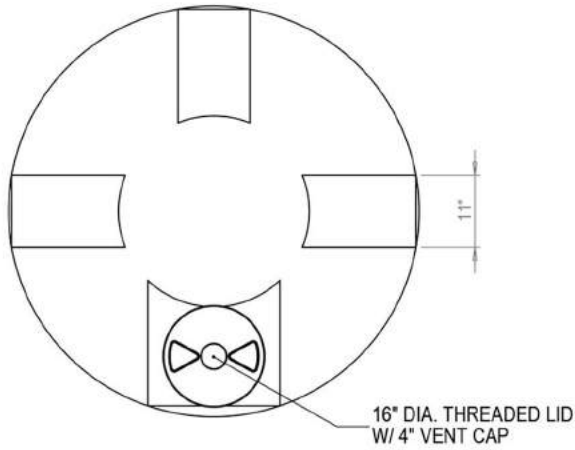


ITEM NO.	PART NUMBER	QTY.
1	1150 gal Vertical Tank	1
2	Lid	1
3	Vent Cap	1



NOTES:

1. MATERIAL - HDPE
2. WEIGHT - 170 LBS - EMPTY

PROPRIETARY AND CONFIDENTIAL
 THE INFORMATION CONTAINED IN THIS DRAWING IS THE SOLE PROPERTY OF POLY-MART, INC. 16310 BRATTON LANE #210, AUSTIN TX 78728. ANY REPRODUCTION IN PART OR AS A WHOLE WITHOUT THE WRITTEN PERMISSION OF POLY-MART, INC. 16310 BRATTON LANE #210, AUSTIN TX 78728 IS PROHIBITED.

UNLESS OTHERWISE SPECIFIED:		NAME	DATE
DIMENSIONS ARE IN INCHES	DRAWN	GM	4-12-14
TOLERANCES:	CHECKED		
FRACTIONAL: ±	ENG APPR.		
ANGULAR: MACH ± BEND ±	MFG APPR.		
TWO PLACE DECIMAL ±	Q.A.		
THREE PLACE DECIMAL ±	CAD DESIGN BY -	CADWorksPro Chicago, IL	
INTERPRET GEOMETRIC TOLERANCING PER:	MATERIAL	gilm@cadworkspro.com	
	FINISH		
	DO NOT SCALE DRAWING		

TITLE: 1150 GALLON VERTICAL TANK		
SIZE B	DWG. NO.	REV
SCALE: 1:20 WEIGHT:		SHEET 1 OF 3