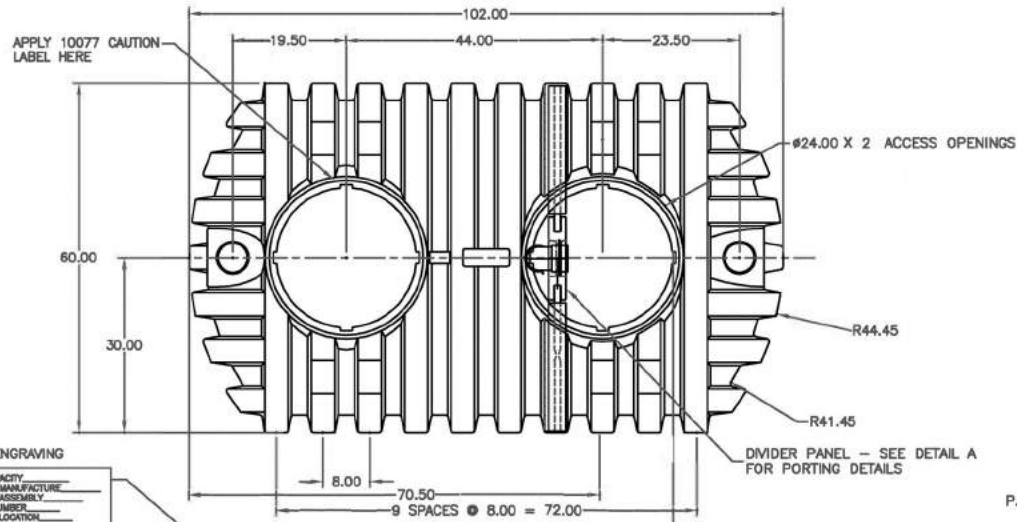
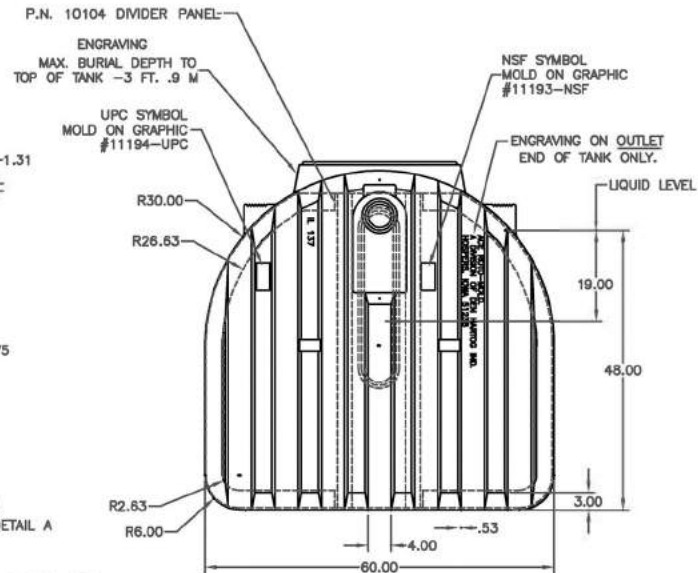
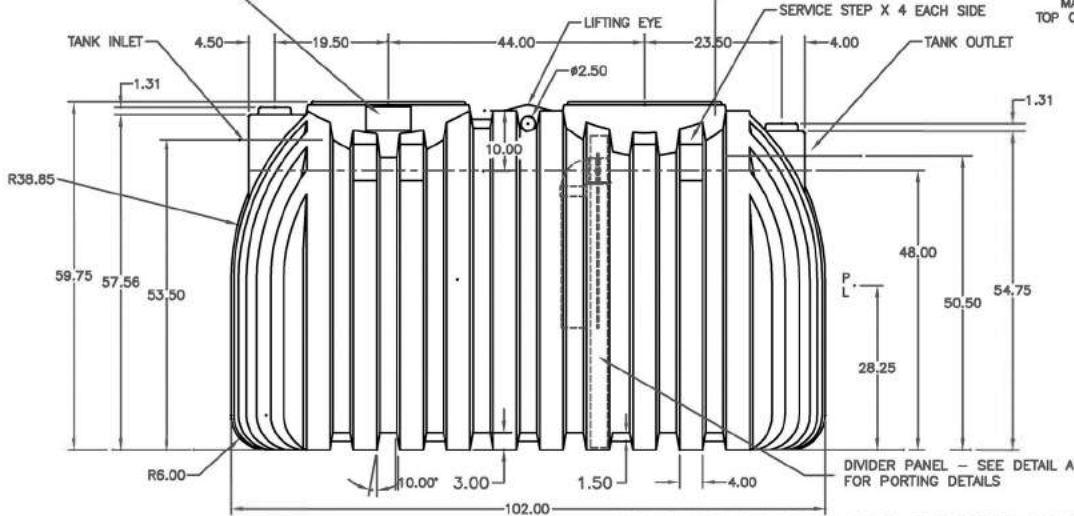


D



PROPRIETARY DATA
 PROPERTY OF ACE ROTO-MOLD MFG., INC. INFORMATION FURNISHED HEREIN IS THE PROPERTY OF ACE ROTO-MOLD MFG., INC. AND SHALL NOT BE USED, DISCLOSED TO OTHERS, OR COPIED WITHOUT THE EXPRESSED WRITTEN CONSENT OF ACE ROTO-MOLD MFG., INC. ALL RIGHTS RESERVED.

ENGRAVING
 TANK CAPACITY _____
 DATE OF MANUFACTURE _____
 DATE OF ASSEMBLY _____
 SERIAL NUMBER _____
 STATE / LOCATION _____



Ⓒ REFERENCE PUBLICATION 10039 FOR SEPTIC TANKS OR PUBLICATION 10149 FOR CISTERN TANKS FOR SPECIFIC INSTALLATION GUIDELINES.

D	ADDED UPC & NSF GRAPHIC	5/29/07				
C	ADDED PUBLICATION REF	9/30/05	DRAWN / DATE			
B	DIVIDER FTG. REVISION	4/26/99	REH / 11/1/97			
A	GENERAL REVISION	1/11/99	APPRD. / DATE			
REV	DESCRIPTION	DATE	APPRD.	REH / 11/1/97		
				MATERIAL		
				MOBIL 134 HDPE OR EQUIVALENT REFERENCE MATERIAL DATA SHEET FOR SPECIFIC PROPERTIES.		
				THIRD ANGLE PROJECTION ANSI 14.5M		
ALL DIMENSIONS ARE IN DECIMAL INCHES TOLERANCES UNLESS OTHERWISE SPECIFIED ± .5% @ 68° F						
				NOTES: 1. NOM. WALL @ .250 2. YELLOW COLOR 3. SHOT WEIGHT 330 LBS.		
					CLIENT / DESCRIPTION	1000 GAL. TWO COMPARTMENT SEPTIC TANK
					SCALE	N.S.
					PART NO.	