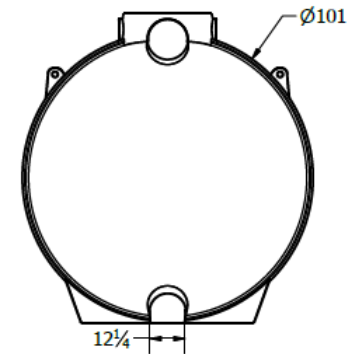
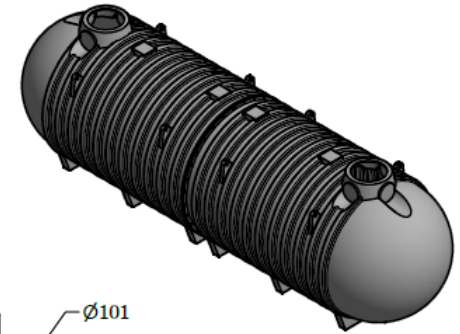


REVISION HISTORY			
REV	DESCRIPTION	DATE	AUTHOR
			bolzer



Material: HDPE
 Total Volume: 10,000 US Gallons
 Part Weight: TBD
 Wall Thickness: .625 in
 Max Burial Depth" 24"

DRAWN bolzer	5/24/2019		
CHECKED		TITLE	
QA		10,000 UNDERGROUND STORAGE TANK	
MFG		SIZE	REV
APPROVED		B	
		SCALE: FULL	SHEET 1 OF 1