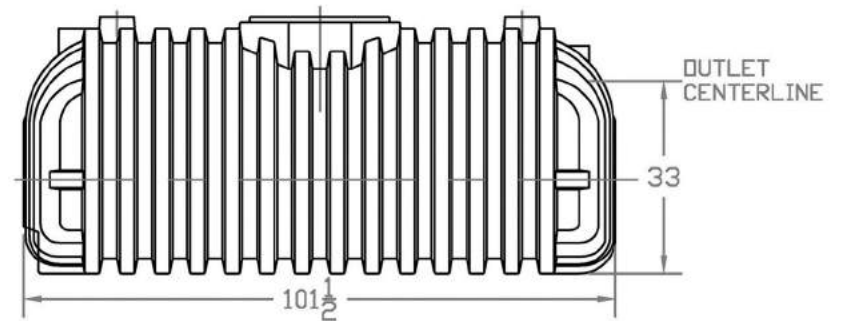
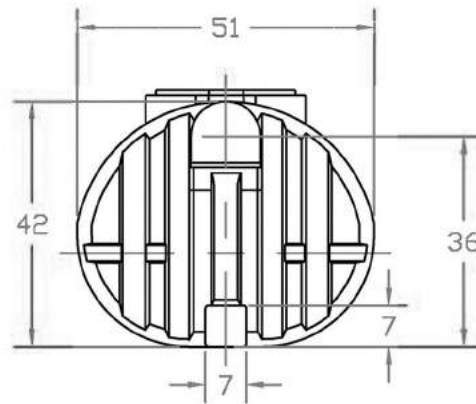
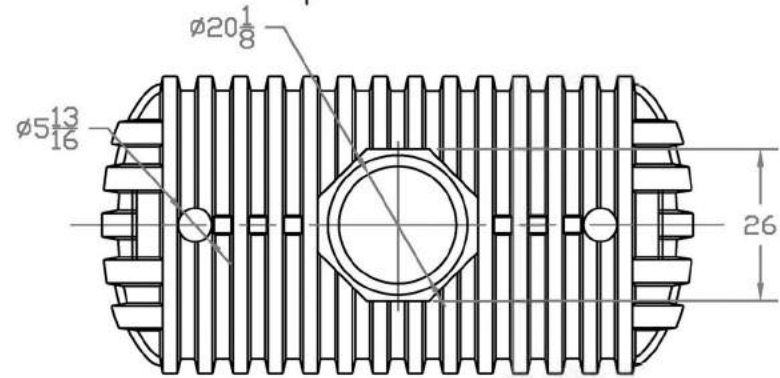


REVISIONS				
ZONE	REV	DESCRIPTION	DATE	APPROVED
	A	REMOVED INLETE/OUTLET HUBS	17AUG10	



		500 GALLON SEPTIC TANK		
JTP	15JUL02	SIZE B	FSCM NO.	DWG NO.
		SCALE 1/24	SHEET	
				REV A