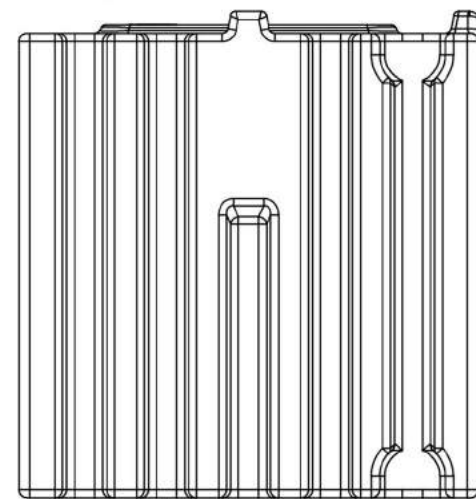
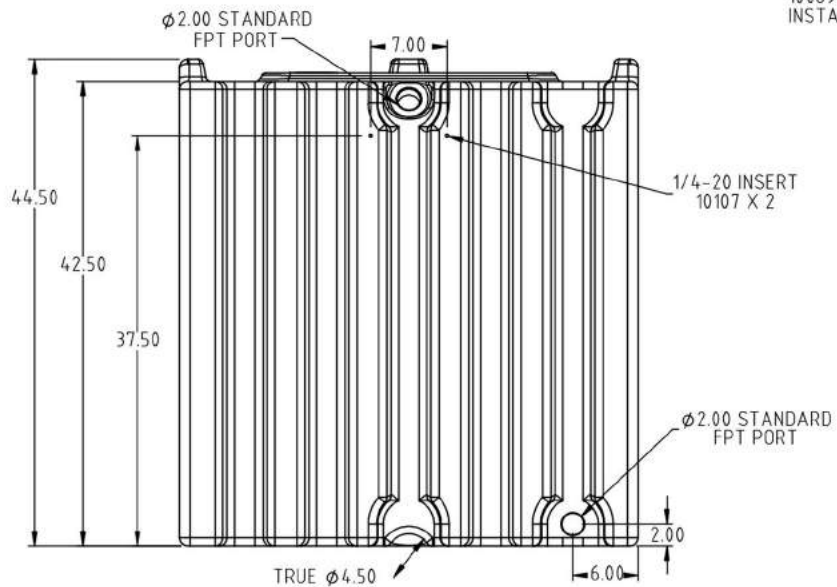
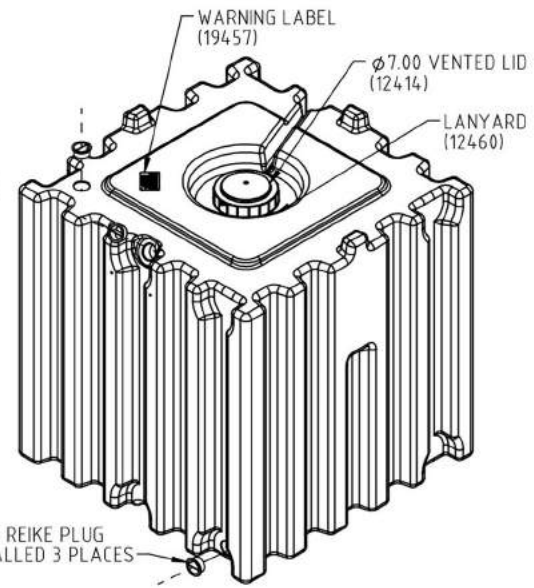
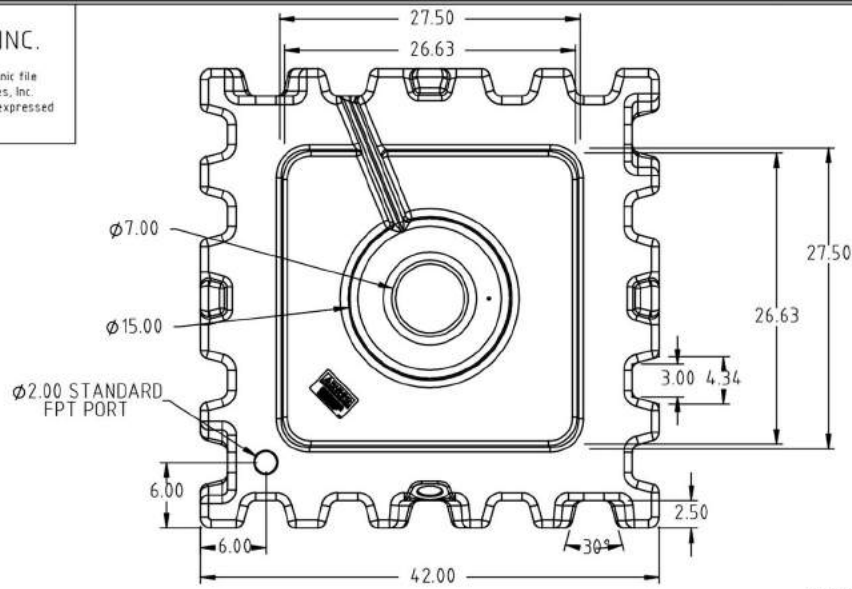


Copyright. All information furnished within this document, electronic file or design correspondence is the property of Den Hartog Industries, Inc. and shall not be used, disclosed to others or copied without the expressed written consent of Den Hartog Industries, Inc.



				DRAWN / DATE ADH 7/12/11	MATERIAL 10420		
				APPRD. / DATE REH 7/13/11			
REV	DESCRIPTION	BY / DATE	CCN				
	ALL DIMENSIONS ARE IN DECIMAL INCHES TOLERANCES UNLESS OTHERWISE SPECIFIED			SHOT WEIGHT: 162 LBS.	NOTES: 1.) NOM. WALL THICKNESS 0.350	DESCRIPTION 240 GALLON TOTE	
	POLYETHYLENE			SHIPPING WEIGHT: 164 LBS.		SCALE N.S.	PART NO.
	±1% @ 68°F			FINISH:			
	METAL DECIMAL ± .125" FRACTION ± 1/4" ANGLE ± 1°						