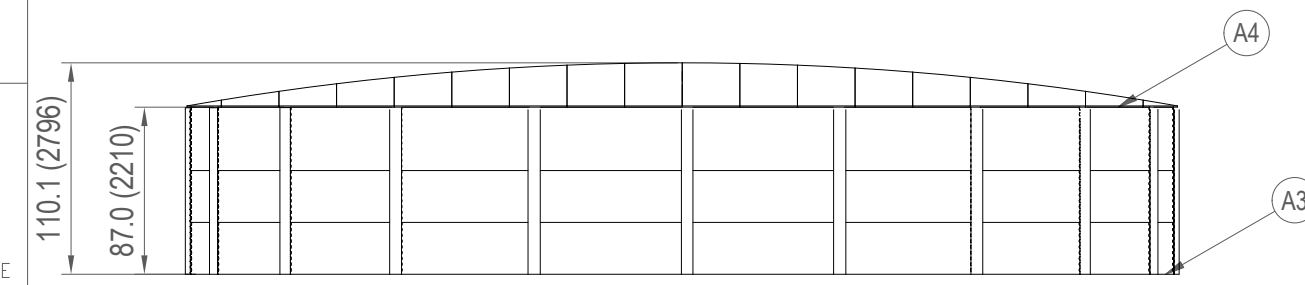
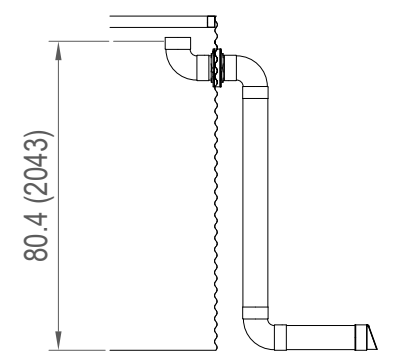


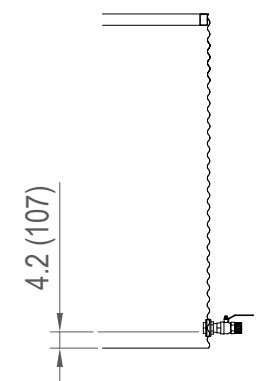
TANK PLAN
SCALE: 1:100



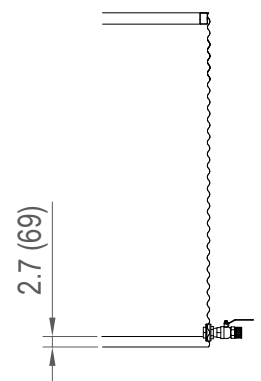
TANK ELEVATION
SCALE: 1:100



OVERFLOW
SCALE: 1:50



OUTLET
SCALE: 1:50



DRAIN
SCALE: 1:50

MANUFACTURER	AQUAMATE
MODEL	UR3D512
GROSS CAPACITY	77,500 GALLONS
NET CAPACITY	67,900 GALLONS
SHELL COLOR / FINISH	NO COLOR / GALVANIZED FINISH
SHELL MOISTURE BARRIER	20mil UNSUPPORTED PE
LINER	ENVIROLINER 20mil
ROOF SHEETING	CORRUGATED 2.67" PITCH 7/8" DEPTH

ID	ACCESSORIES
A1	30" HINGED ROOF ACCESS HATCH
A2	LIGHT DUTY LADDER - 3 RING TANK
A3	512" GEOMAT
A4	DUST AND VERMIN PROTECTION
A5	6" PVC OVERFLOW PIPEWORK
A6	MECHANICAL LEVEL GAUGE

NOTES

GENERAL

- DRAWINGS TO BE READ IN CONJUNCTION WITH DESIGN SPECIFICATION
- EFFECTIVE VOLUME CALCULATION BASED ON STORAGE LOSS BELOW INVERT OF THE LOWEST OUTLET AND FROM 1" BELOW THE INVERT / LIP OF THE LOWEST OVERFLOW

PRODUCTION

- ALL PIPEWORK & VALVES, UNLESS SPECIFIED, BY OTHERS

INSTALLATION

- ENSURE FIRM FLAT AND LEVEL SITE IS PROVIDED, AS PER SITE PREPARATION SPECIFICATION, PRIOR TO COMMENCING CONSTRUCTION
- ORIENTATION OF ALL FITTINGS TO BE CONFIRMED PRIOR TO INSTALLATION
- INSTALLATION TOLERANCES APPLY ON TOP OF STANDARD PRODUCTION TOLERANCES

INCHES	US GAL
87.0	77,500
85.5	76,100
82.5	73,500
79.5	70,800
76.5	68,100
73.5	65,500
70.5	62,800
67.5	60,100
64.5	57,400
61.5	54,800
58.5	52,100
55.5	49,400
52.5	46,800
49.5	44,100
46.5	41,400
43.5	38,700
40.5	36,100
37.5	33,400
34.5	30,700
31.5	28,100
28.5	25,400
25.5	22,700
22.5	20,000
19.5	17,400
16.5	14,700
13.5	12,000
10.5	9,400
7.5	6,700
4.5	4,000
1.5	1,300

Ø512" TANK DEPTH CHART

ID	DESCRIPTION	SIZE	TYPE	LVL.	MATERIAL	VALVE TYPE	INTERNAL
N1	OVERFLOW	6"	SDR 35	73.5	ASA	-	VERTICAL ORIFICE
N2	INLET	20"	BASKET	87.0	PP / PE	-	UV GUARD
N3	OUTLET	2"	Sch 40	5.25	GFN	Ni COATED BALL	HORIZONTAL ORIFICE
N4	DRAIN	2"	Sch 40	3.75	GFN	Ni COATED BALL	HORIZONTAL ORIFICE

REV.	DESCRIPTION	DATE	DRAWN	APPROVED
-1	FIRST ISSUE	16 NOV 16	BAF	---

AQUAMATE
aquamatetanks.com
4906 Dillehay Drive
Ste 200, Allen TX 75002
844.320.8265
info@aquamatetanks.com

DRAWN BY	INIT.	DATE	DESCRIPTION
CHECKED			
APPROVED			
ISSUED			

77,000 GALLON TANK GENERAL ARRANGEMENT
AQUAMATE TANKS
PRODUCTION PART

INCHES (MILLIMETRES)	SCALE REFER SHEET	SHEET 1 of 1	Weight	PROJ. No. D030	DWG. No. U-13.0-1000-00001	REV.	SHEET SIZE B ANSI
----------------------	-------------------	--------------	--------	----------------	----------------------------	------	-------------------