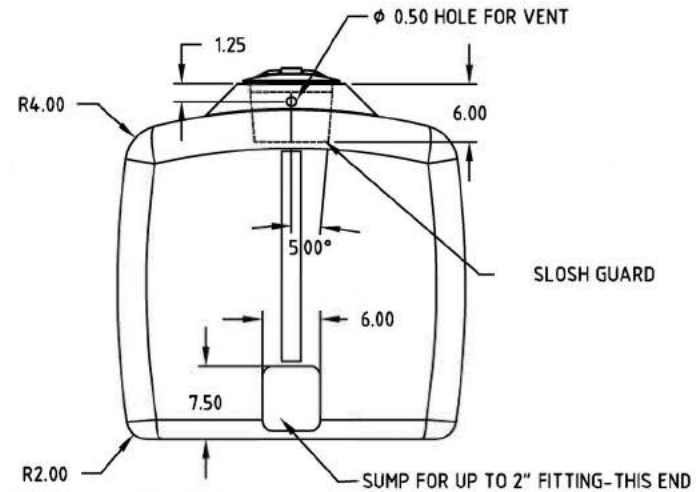
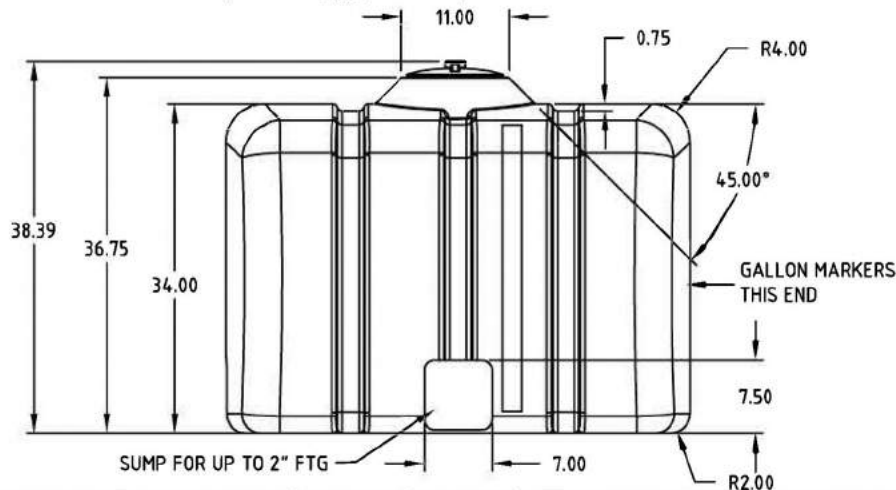
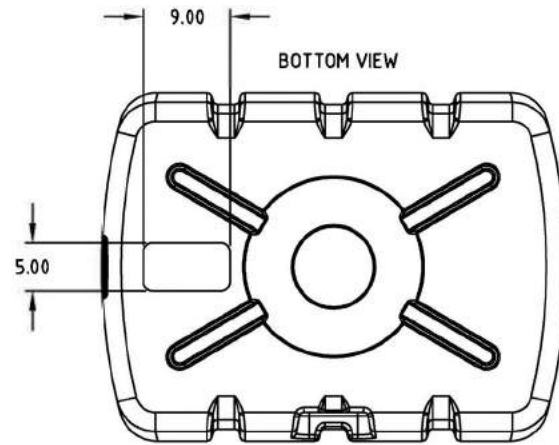
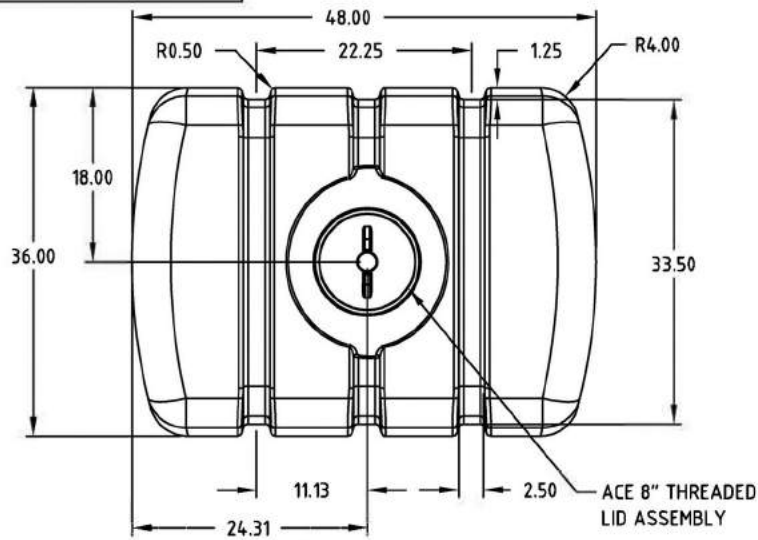


Copyright. All information furnished within this document, electronic file or design correspondence is the property of Den Hartog Industries, Inc. and shall not be used, disclosed to others or copied without the expressed written consent of Den Hartog Industries, Inc.



		DRAWN / DATE		MATERIAL	
		REH / 4/19/99		MOBIL 134	
A		GALLON MARKER LOCATION ADDED TO PRINT		ADH 12/10/09 1980	
REV		DESCRIPTION		BY / DATE CCN	
		ALL DIMENSIONS ARE IN DECIMAL INCHES TOLERANCES UNLESS OTHERWISE SPECIFIED		SHOT WEIGHT: 80 LB.	
POLYETHYLENE		THIRD ANGLE PROJECTION ANSI #1.5B		NOTES:	
±1% @ 68° F		METAL DECIMAL ± .125" FRACTION ± 1/4" ANGLE ± 1°		1.) NATURAL COLOR 2.) NOM. WALL .270	
		SUMP FOR UP TO 2" FTG		DESCRIPTION 200 GAL. TANK	
		SUMP FOR UP TO 2" FITTING-THIS END		SCALE N.S. PART NO.	