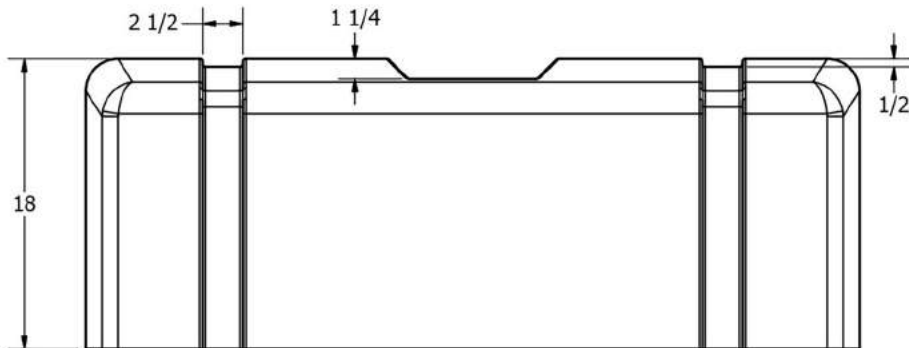
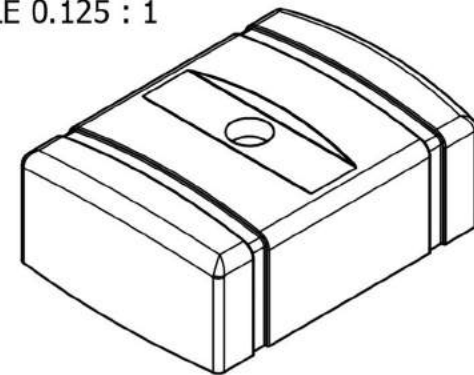


SECTION A-A  
SCALE 0.125 : 1



DRAWN Jerry Paulson	11/21/2008		
CHECKED		TITLE	
QA		110 GALLON LOW PROFILE UTILITY TANK	
MFG		SIZE	DWG NO
APPROVED		B	
		SCALE: 1/8	REV
			SHEET 1 OF 1