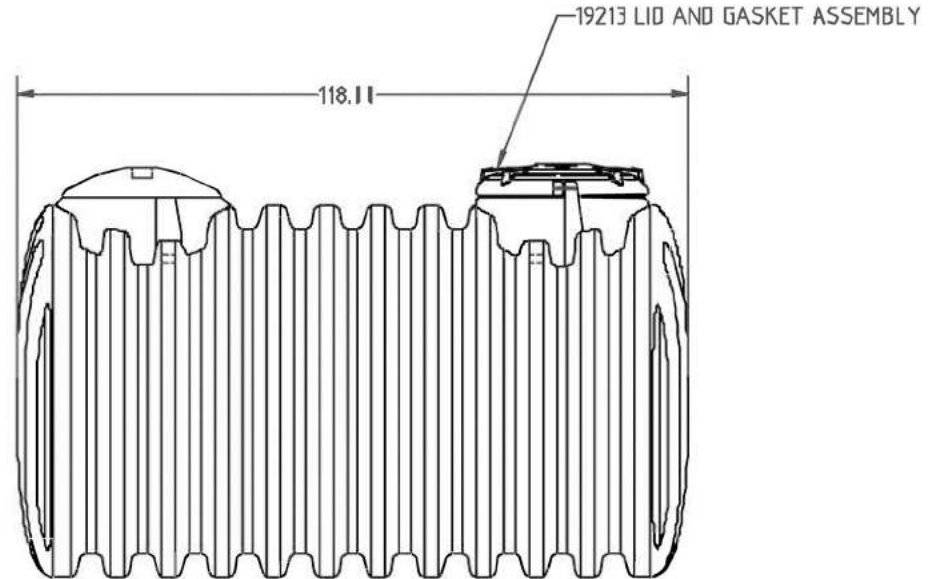
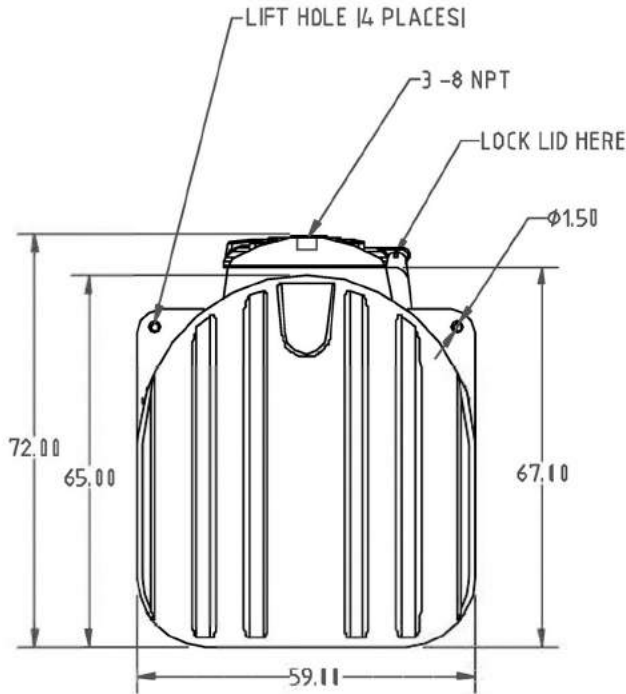
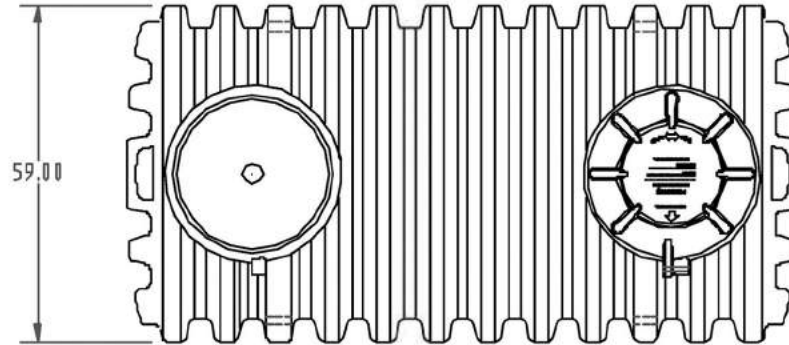


PROPRIETARY DATA

C

PROPERTY OF ACE ROTO-MOLD MFG., INC. INFORMATION FURNISHED HEREIN IS THE PROPERTY OF ACE ROTO-MOLD MFG., INC. AND SHALL NOT BE USED, DISCLOSED TO OTHERS, OR COPIED WITHOUT THE EXPRESSED WRITTEN CONSENT OF ACE ROTO-MOLD MFG., INC. ALL RIGHTS RESERVED.

(A) REFERENCE PUBLICATION 10039 FOR SEPTIC TANKS OR PUBLICATION 10149 FOR CISTERN TANKS FOR SPECIFIC INSTALLATION GUIDELINES.



C	CHANGE TO ONE LID	3/17/16	DHJ	DRAWN / DATE	MATERIAL	CLIENT / DESCRIPTION	
B	CHANGE WEIGHT WAS 472	3/17/16	DHJ	REH / 3/15/14			EXXON HD8688 HOPE OR EQUIVALENT REFERENCE MATERIAL DATA SHEET FOR SPECIFIC PROPERTIES.
A	ADDED PUBLICATION REF	9/31/15	NVE	APPRD. / DATE			
REV	DESCRIPTION	DATE	APPRD	REH / 3/15/14	NOTES:	SCALE	
ALL DIMENSIONS ARE IN DECIMAL INCHES TOLERANCES UNLESS OTHERWISE SPECIFIED ± 1% @ 68° F				THIRD ANGLE PROJECTION ANSI 11.5	1. MIN. WALL @ .251 2. NATURAL COLOR 3. SHOT WEIGHT 473 LBS.	N.S.	PART NO.