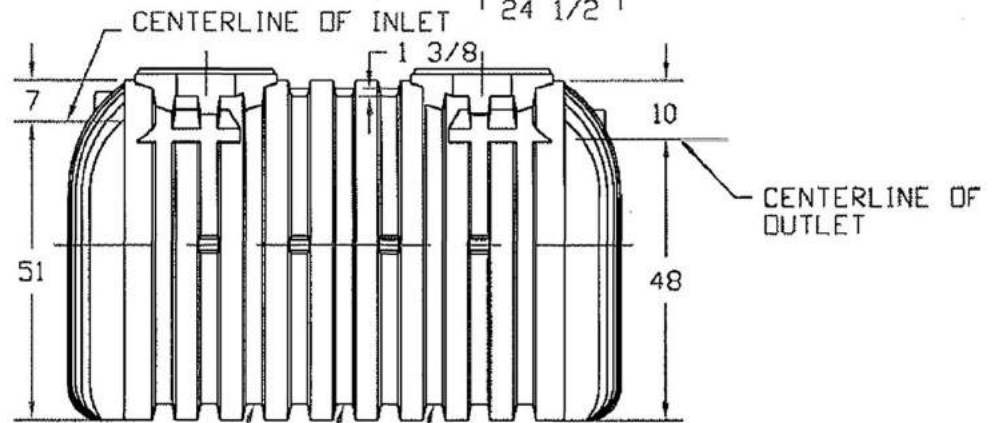
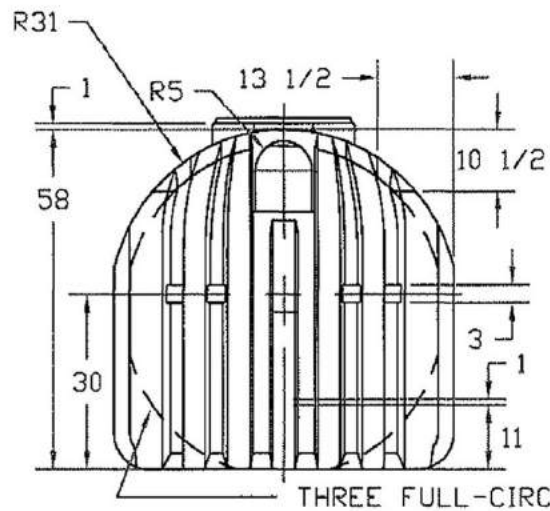
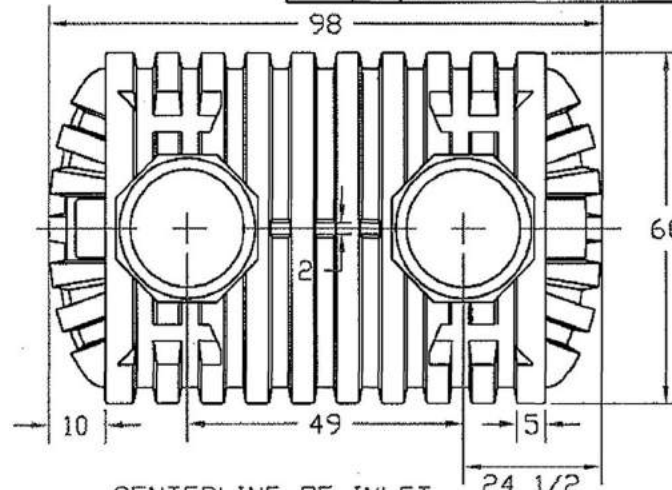
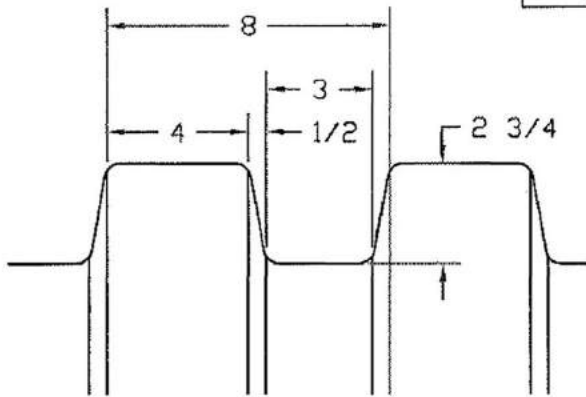


REVISIONS					REVISIONS				
ZONE	REV	DESCRIPTION	DATE	APPROVED	ZONE	REV	DESCRIPTION	DATE	APPROVED
	F	IN/OUT HUBS REM'D	14OCT02			C	REDRAWN, DIMS UPDATED	17FEB97	
						D	WAS 1000 GALLON	26MAY98	
						E	WAS 40324	03JUN02	



1200 GALLON CISTERN ①				
JTP	17FEB97	SIZE B	FSCM NO.	OWG NO. ②
SCALE 1/24		SHEET		