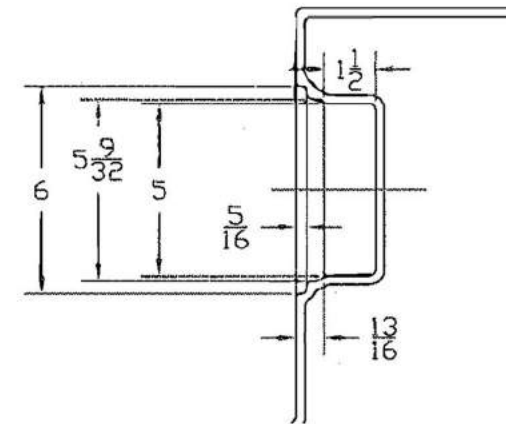
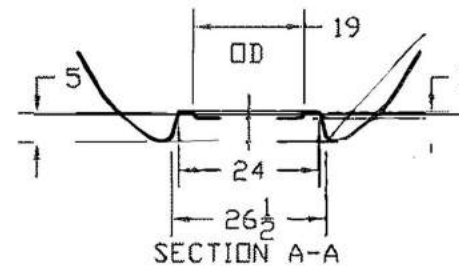
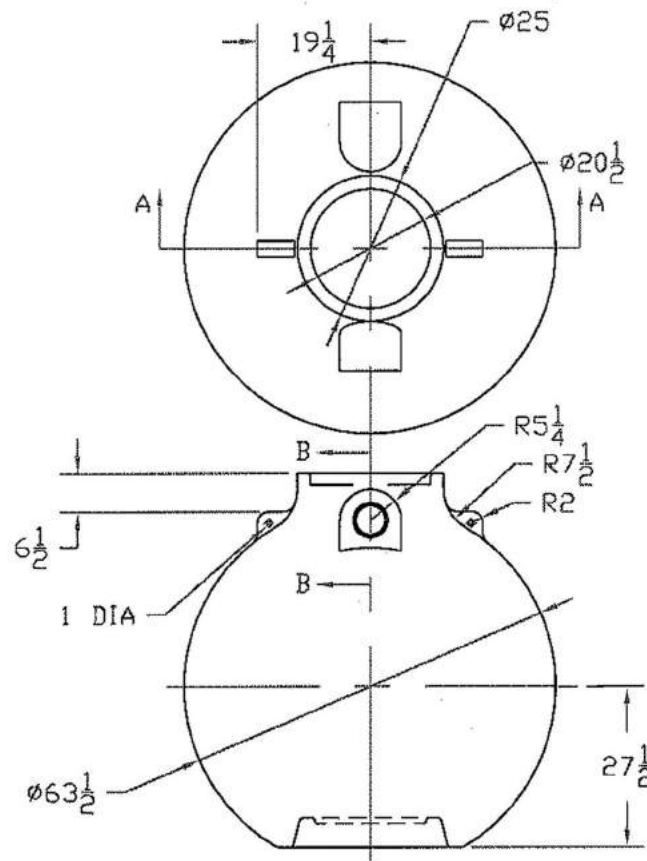
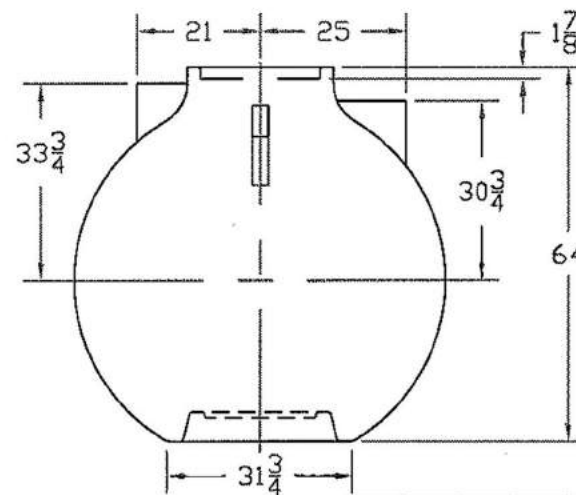


REVISIONS				
ZONE	REV	DESCRIPTION	DATE	APPROVED
	A	ADDED HUBBED INET DELETED LID NOTCHES	14OCT02	



SECTION B-B
1/4 SCALE

NOTE: THIS GASKET RECESS
IS AT INLET ONLY.
OUTLET IS FLAT.



550 GALLON CISTERN					
JTP	02SEP98	SIZE B	FSCM NO.	DWC NO.	REV A.
SCALE 1/24			SHEET		