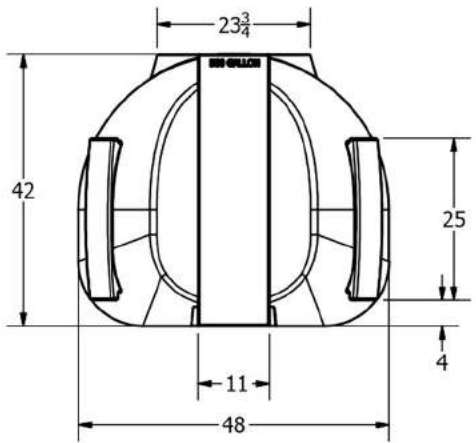
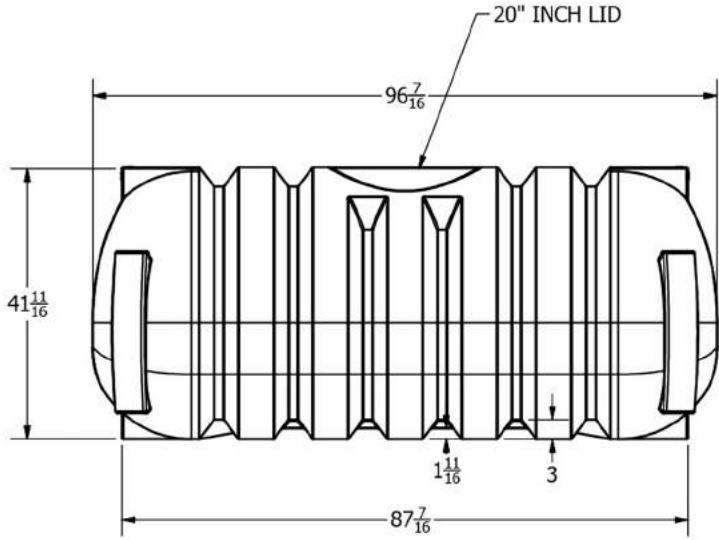
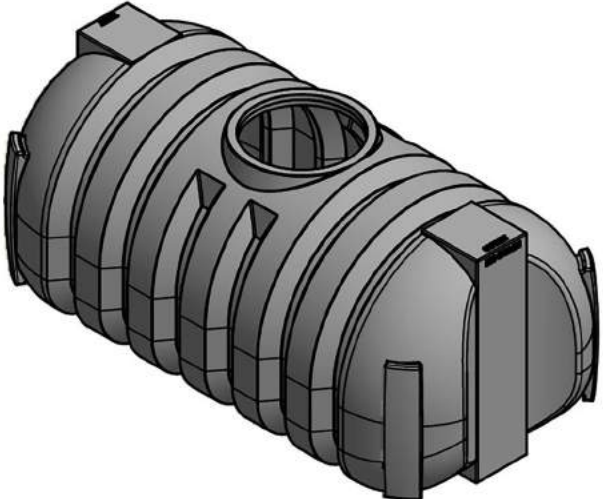


MATERIAL: HIGH-DENSITY POLYETHYLENE
 NSF 61 LISTED
 575 US GALLONS WORKING CAPACITY



ALL DIMENSIONS ARE IN INCHES, NOMINAL, AND SUBJECT TO CHANGE WITHOUT NOTICE.
 ALL DIMENSIONS ON ROTATIONALLY MOLDED PARTS ARE SUBJECT TO A ±3% TOLERANCE

DRAWN Todd Bolzer	6/2/2009	TITLE 575 LOW PROFILE CISTERN		
CHECKED				
QA				
MFG				
APPROVED		SIZE B	DWG NO	REV C
		SCALE: 1/16	SHEET 1 OF 1	