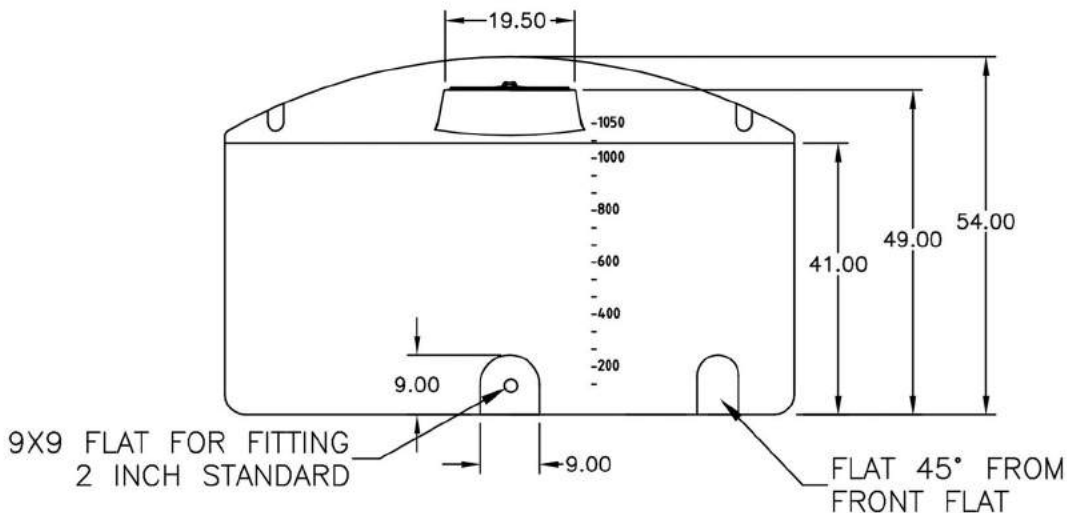
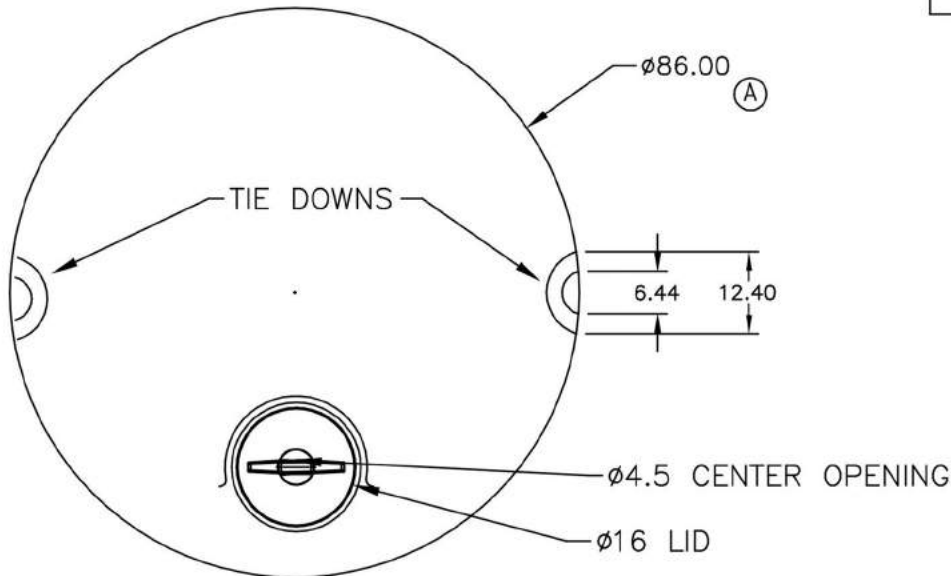


PROPRIETARY DATA

PROPERTY OF DEN HARTOG INDUSTRIES, INC. INFORMATION FURNISHED HEREIN IS THE PROPERTY OF DEN HARTOG INDUSTRIES, INC. AND SHALL NOT BE USED, DISCLOSED TO OTHERS, OR COPIED WITHOUT THE EXPRESSED WRITTEN CONSENT OF DEN HARTOG INDUSTRIES, INC. ALL RIGHTS RESERVED.

A



				DRAWN / DATE NVE 6/13/05	MATERIAL		
A	DIAMETER WAS 85, PN WAS VT1050-85	7/31/06	NVE	APPRD. / DATE DHJ 6/21/05	HDPE OR EQUIVALENT REFERENCE MATERIAL DATA SHEET FOR SPECIFIC PROPERTIES.	CLIENT / DESCRIPTION	
REV	DESCRIPTION	DATE	APPRD			1050 GALLON VERTICAL TANK	
ALL DIMENSIONS ARE IN DECIMAL INCHES TOLERANCES UNLESS OTHERWISE SPECIFIED $\pm 1\%$ @ 68° F				THIRD ANGLE PROJECTION ANSI 14.5M 	NOTES: 1. .190 THICK AT FITTING 2. WHITE OR COLOR 3. SHOT WEIGHT 190 LBS.	SCALE N.S.	PART NO.