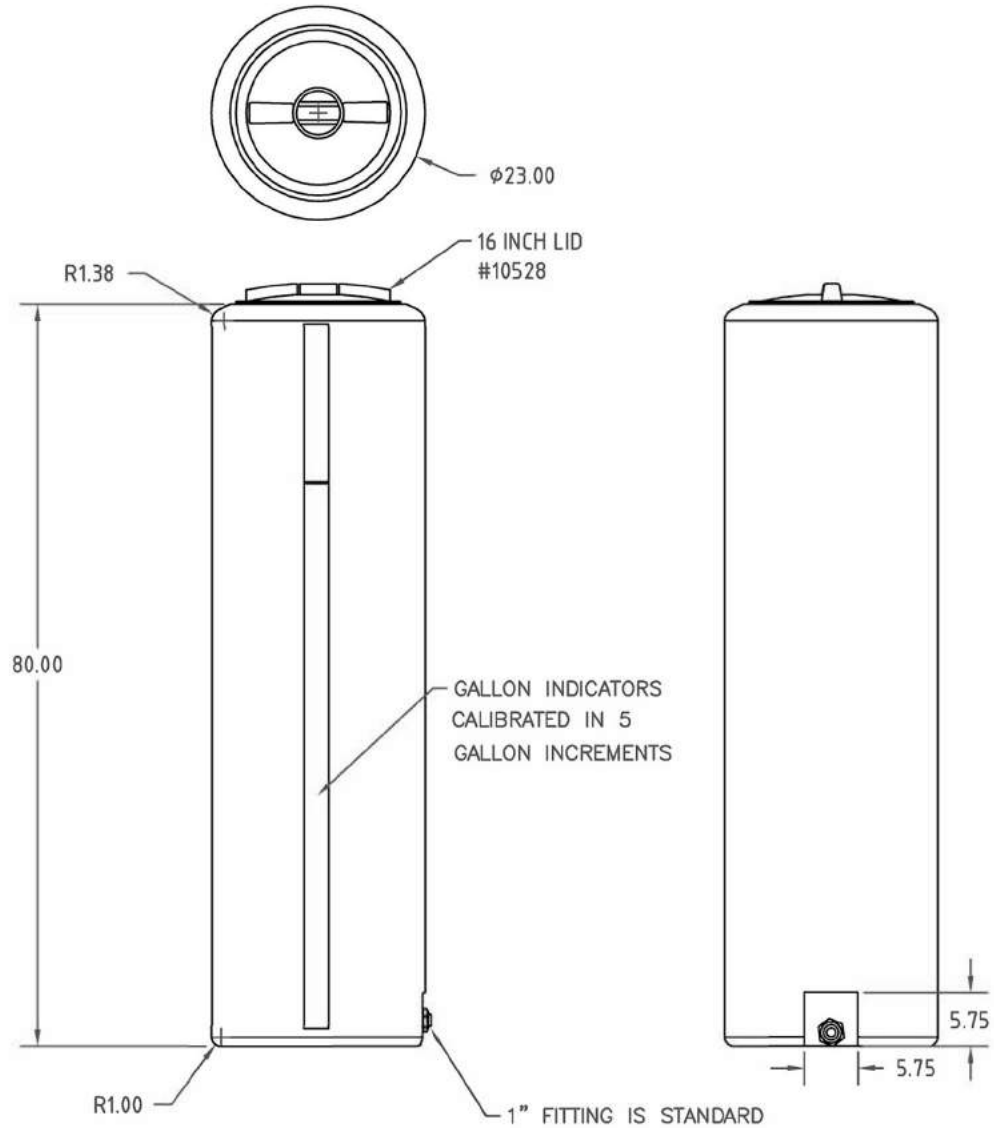

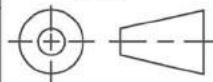


Copyright. All information furnished within this document, electronic file or design correspondence is the property of Den Hartog Industries, Inc. and shall not be used, disclosed to others or copied without the expressed written consent of Den Hartog Industries, Inc.



				DRAWN / DATE 7/27/10 DHJ	MATERIAL POLYETHYLENE	
				APPRD. / DATE REH 8/16/10		
REV	DESCRIPTION	BY / DATE	CCN	SHOT WEIGHT: 45 LBS.	NOTES:	DESCRIPTION 135 GALLON VERTICAL TANK
				SHIPPING WEIGHT: 47 LBS.	1. .200 NOM. WALL 2. 2 S.G.	
ALL DIMENSIONS ARE IN DECIMAL INCHES TOLERANCES UNLESS OTHERWISE SPECIFIED POLYETHYLENE ±1% @ 68° F		THIRD ANGLE PROJECTION ANSI 14.5M 		FINISH:		SCALE N.S.
METAL DECIMAL ± .125" FRACTION ± 1/4" ANGLE ± 1°						PART NO.