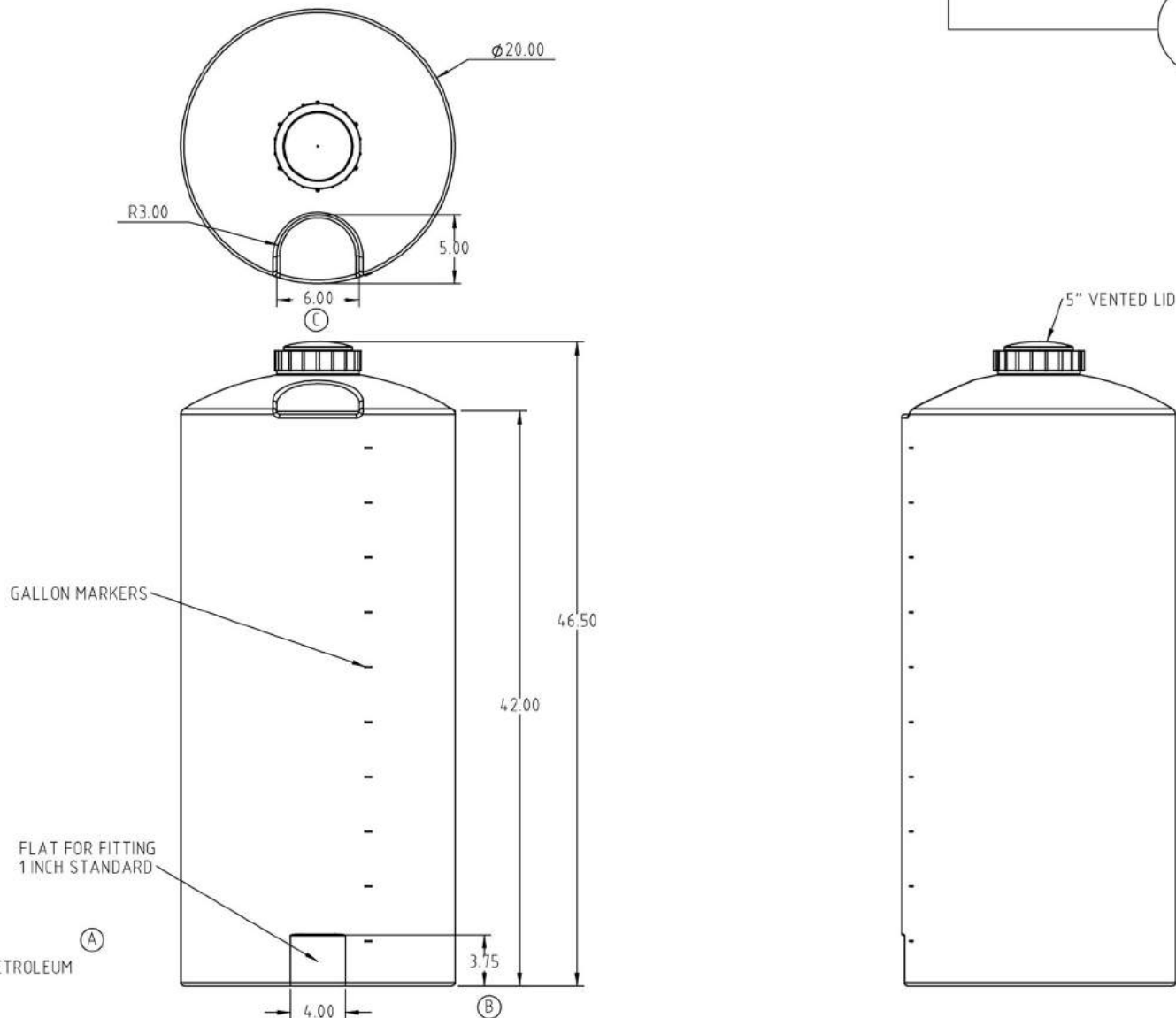


Copyright. All information furnished within this document, electronic file or design correspondence is the property of Den Hartog Industries, Inc. and shall not be used, disclosed to others or copied without the expressed written consent of Den Hartog Industries, Inc.



NOTE: THIS PRODUCT IS NOT DESIGNED TO CONTAIN PETROLEUM PRODUCTS. CONTACT THE FACTORY FOR CHEMICAL COMPATIBILITY.

C	CHANGE TOP FLAT CLOSING	ADH 8/18/10	2071	DRAWN / DATE DHJ 4/21/04	MATERIAL  HDPE	DESCRIPTION 55 GAL. VERTICAL TANK
B	FLAT DIMENSIONS ADDED	DHJ 4/23/07	1701	APPRD. / DATE REH 5/8/07		
A	CHANGE SUMP CLOSING	DHJ 4/23/07				
REV	DESCRIPTION	BY / DATE	CCN			
ALL DIMENSIONS ARE IN DECIMAL INCHES TOLERANCES UNLESS OTHERWISE SPECIFIED POLYETHYLENE		THIRD ANGLE PROJECTION ANSI 14.5M		SHOT WEIGHT: 22.00 LBS. SHIPPING WEIGHT: 23.00 LBS. FINISH:	NOTES: 1.) NATURAL COLOR 2.) NOM. WALL .200	SCALE N.S.
±1% @ 68°F		METAL DECIMAL ± .125" FRACTION ± 1/4" ANGLE ± 1°				PART NO.