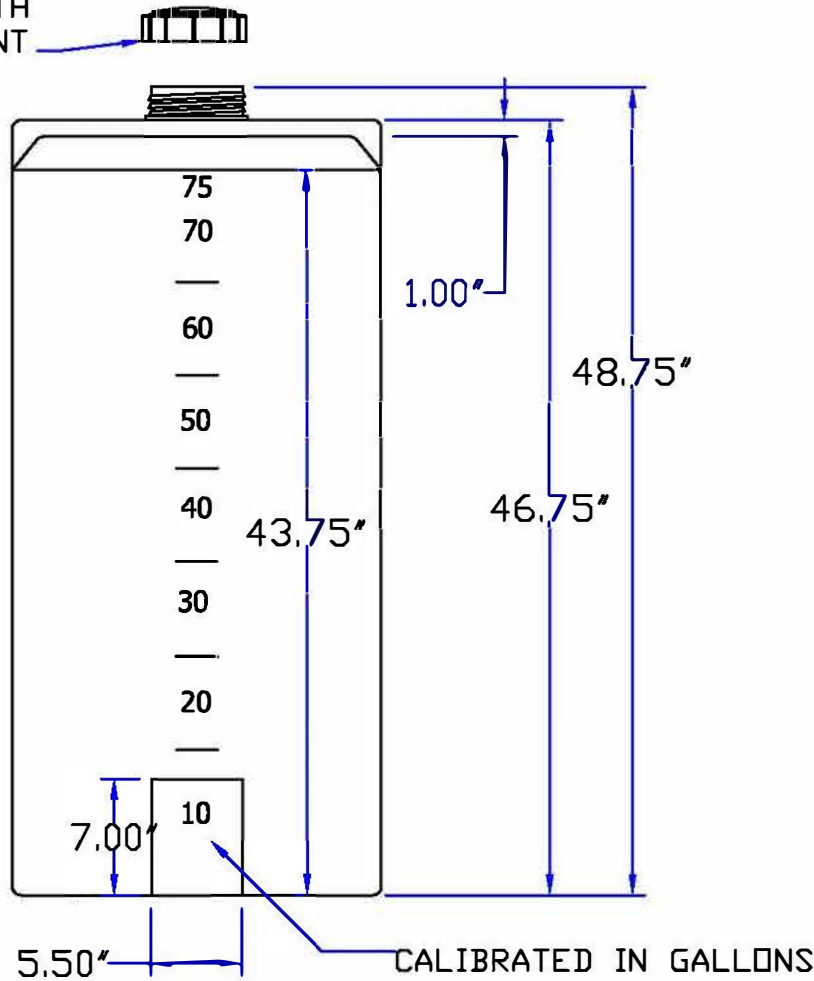
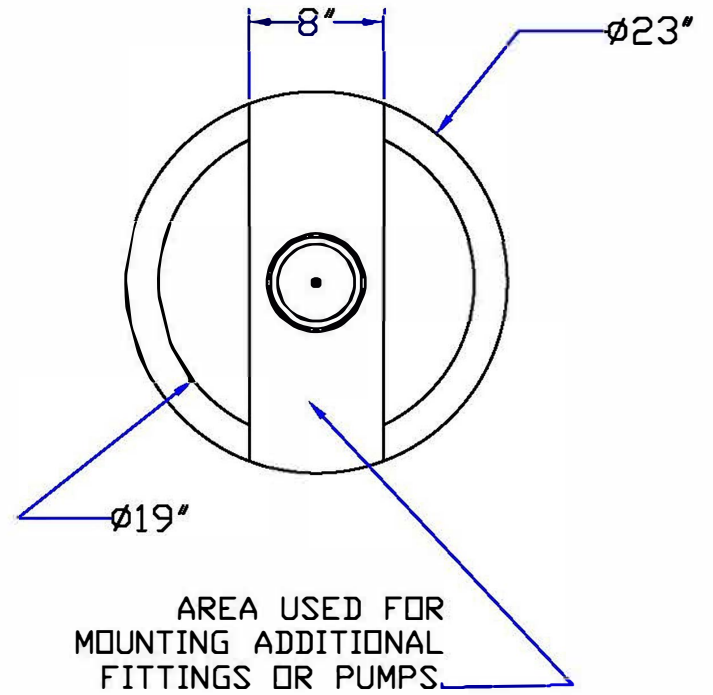


SIDE VIEW

5" THREADED LID WITH VENT



TOP VIEW



THIS DRAWING INCLUDING THE DESIGN AND THE DETAILS IS THE PROPERTY OF BAILIFF ENTERPRISES, INC. (BEI). IT MAY NOT BE REPRODUCED OR COPIED IN WHOLE OR IN PART, NOR MAY IT BE USED EXCEPT IN CONJUNCTION WITH THE WORK OF BEI WITHOUT THE EXPRESS WRITTEN PERMISSION OF BEI.

				DRAWN / DATE MPSYKES/1/19/03		MATERIAL / SHOT WEIGHT	
				APPRD. / DATE		HDPE	33 LBS.
REV	DIA CHANGED	1/02	APPRD				
REV	DESCRIPTION	DATE	APPRD				
ALL DIMENSIONS ARE IN DECIMAL INCHES TOLERANCES UNLESS OTHERWISE SPECIFIED ± .5% @ 68° F				THIRD ANGLE PROJECTION ANSI 14.5M		NOTES:	

<h1>PROTANK</h1>	
CLIENT / DESCRIPTION	
75 GALLON VERTICAL TANK	
SCALE	PART NO.
N.S.	VTB075-23