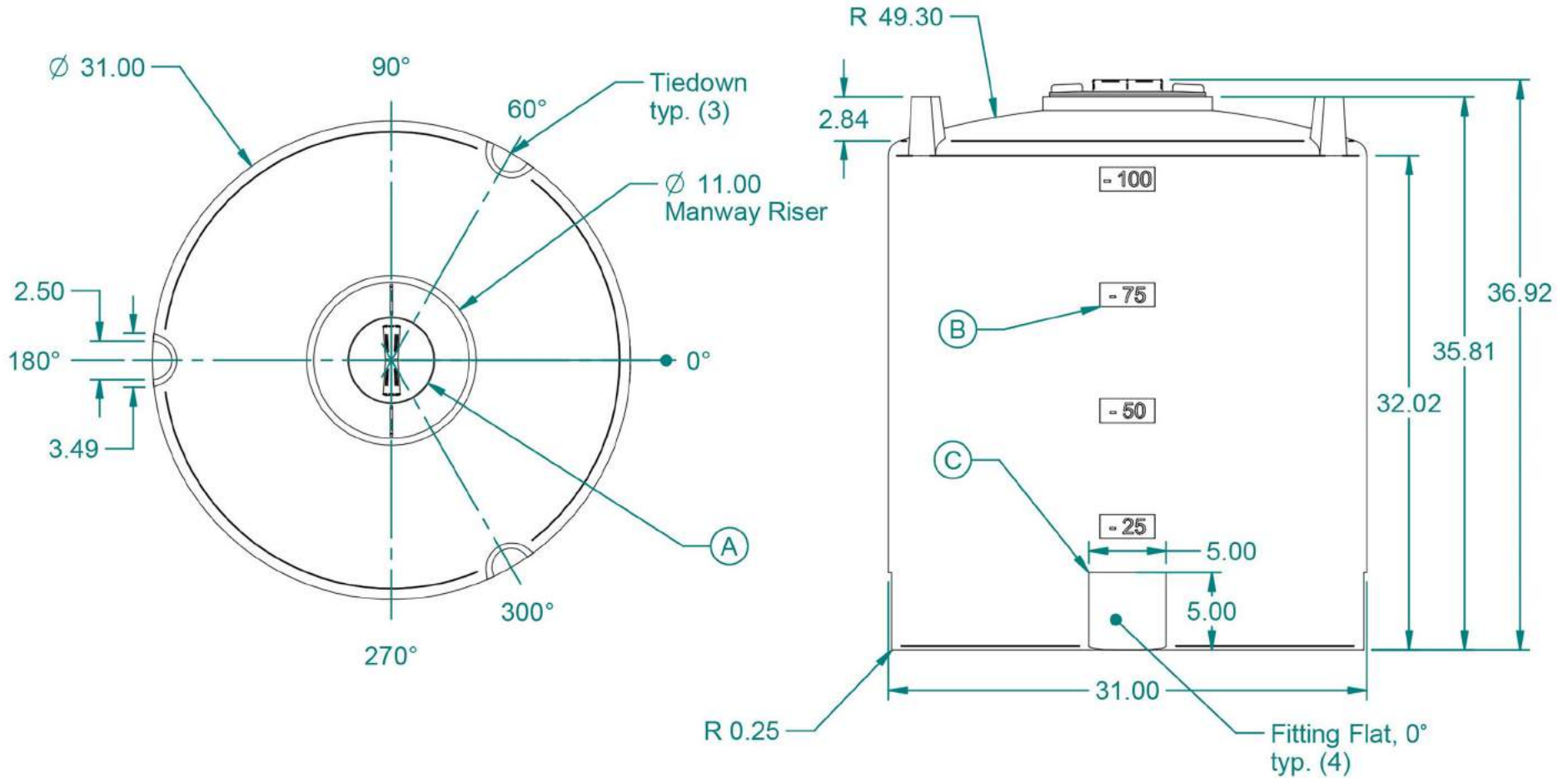


100 Gallon Vertical Tank



- A. 10" HDPE THREADED - VENTED MANWAY W/ 8" ACCESS, BLACK, W/ SS SCREWS (P/N 751008)
- B. TANK CALIBRATION AT 0° IN 25 GALLON INCREMENTS
- C. TANK FITTINGS TO BE INSTALLED AT TIME OF SHIPMENT AS PER DURA-CAST PROCEDURES

|  |   |                     |           |   |
|--|---|---------------------|-----------|---|
| Weight:<br>Dependent on specific gravity rating  |   | NAME                | DATE      |   |
| Wall Thickness:<br>Dependent on specific gravity rating                                    | Drawn By:   | S. Arant            | 8/22/2012 |   |
| Customer Part No:<br>N/A   | Customer APPR   |                     |           | Customer:                               |
| Print Date:<br>8/24/2012   | COPYRIGHT©2012<br>DURA-CAST PRODUCTS, INC.  |                     |           | PartTitle: 100 Gallon Vertical Tank     |
| Comments:<br>- UNLESS OTHERWISE SPECIFIED<br>DIMENSIONS ARE IN INCHES<br>- Std Radii 3/16" | UNLESS OTHERWISE SPECIFIED<br>TOLERANCES ARE<br>DIMS > 10" ±1% DIMS < 10" ±0.100<br>WALL THICKNESS ± 20%<br>FLATNESS ± .030 in/in |                     |           | File Name: 100 Gallon Vertical Tank.dft |
|  | Size<br>A   | Material: LLDPE 939 |           | Rev.                                    |
|  | Part No:  | Do Not Scale        | Sheet:    | 1 OF 1                                  |