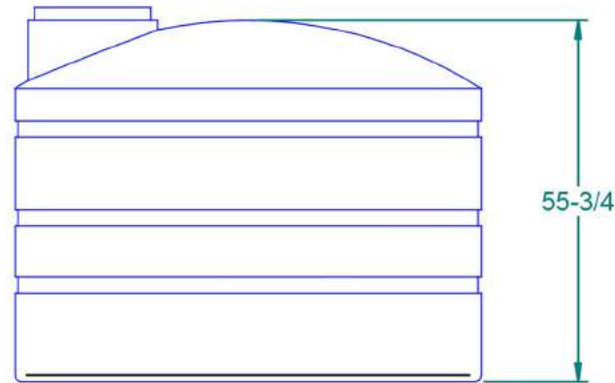
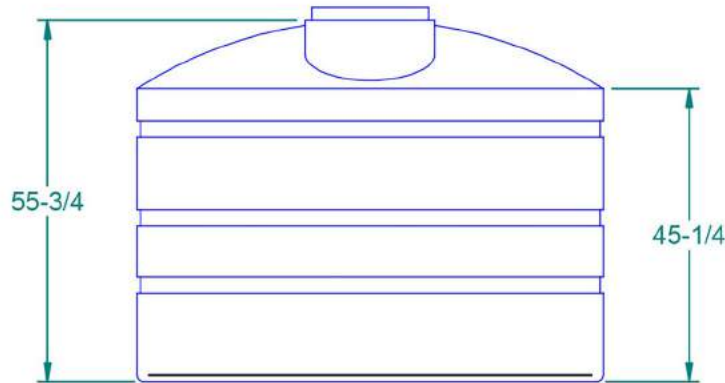
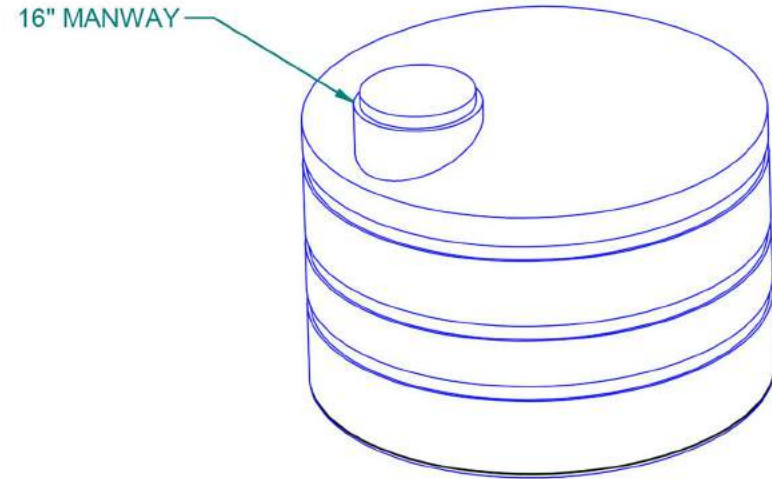
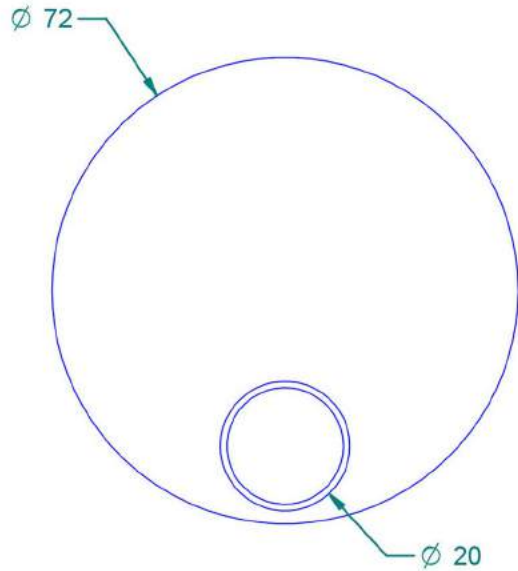


REVISION HISTORY

REV	DESCRIPTION	DATE	APPROVED	Revised By
A	Initial Design Release	5/8/2006		



Weight: N/A		NAME	DATE		
Wall Thickness: N/A	DRAWN By: mnegron		5/8/2006		
Customer Part No: N/A	Customer APPR			Customer:	
Print Date: 9/18/2007	MFG APPR			Part Title: E-900 Gallon Vertical Tank	
Comments:	Tolerance: UNLESS OTHERWISE SPECIFIED DIMENSIONS ARE IN INCHES ±1% Std Radii 3/16"	File Name: V900 (910900).dft			
		Size: A	Material: Polyethylene, LMDPE 8460	Rev: A	
		Part No:	Do Not Scale	Sheet: 1 OF 1	