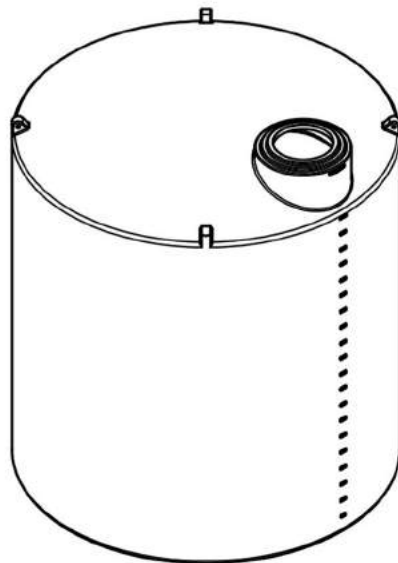
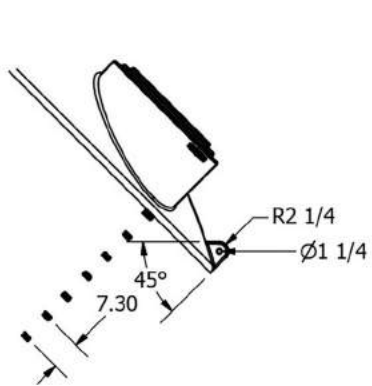


DETAIL A
SCALE 1 / 16



DRAWN Jerry Paulson	4/6/2012	TITLE	
CHECKED		11,000 GALLON VERTICAL TANK X 144 DIAMETER	
QA		SIZE	DWG NO
MFG		B	
APPROVED		SCALE: 1/32	REV
			SHEET 1 OF 1