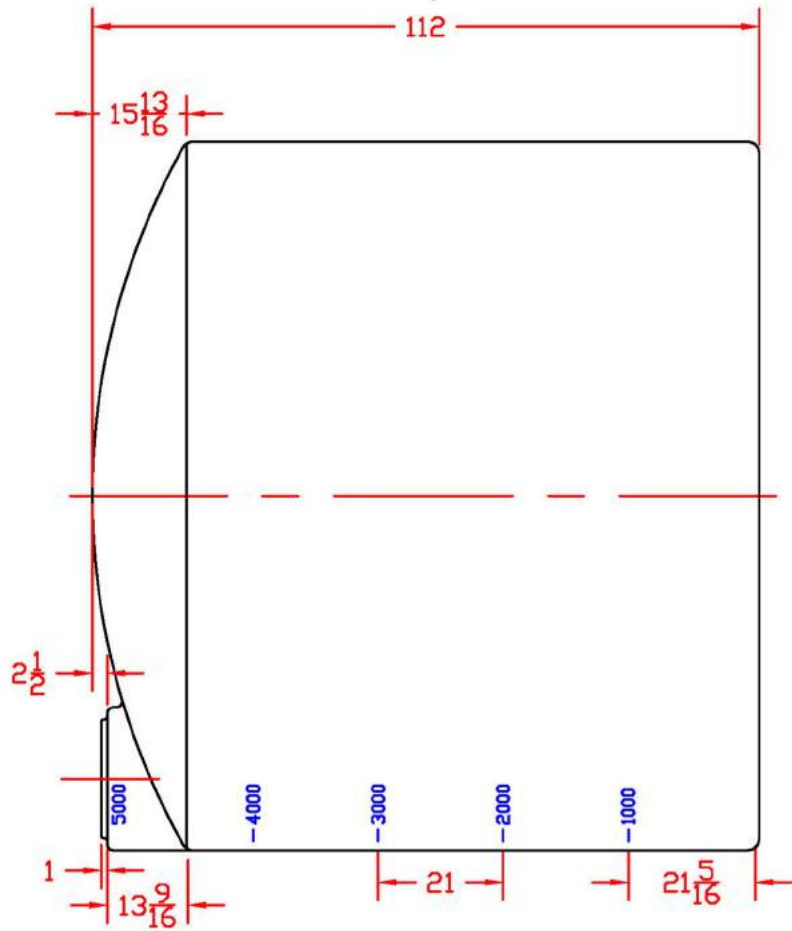
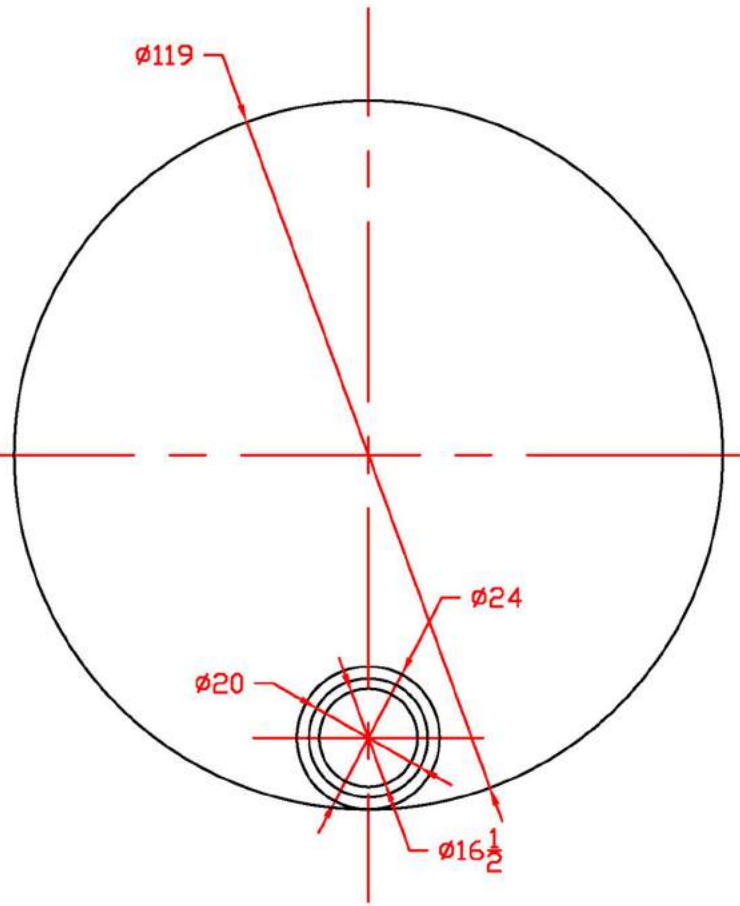


REVISIONS				
ZONE	REV	DESCRIPTION	DATE	APPROVED



		5000 GALLON VERTICAL WATER TANK X 119		
JTP 13FEB04	SIZE B	FSCM NO.	DWG NO.	REV
SCALE 1/24				SHEET

VWN5000-119

(866) 776-8265

PROTANK

sales@protank.com