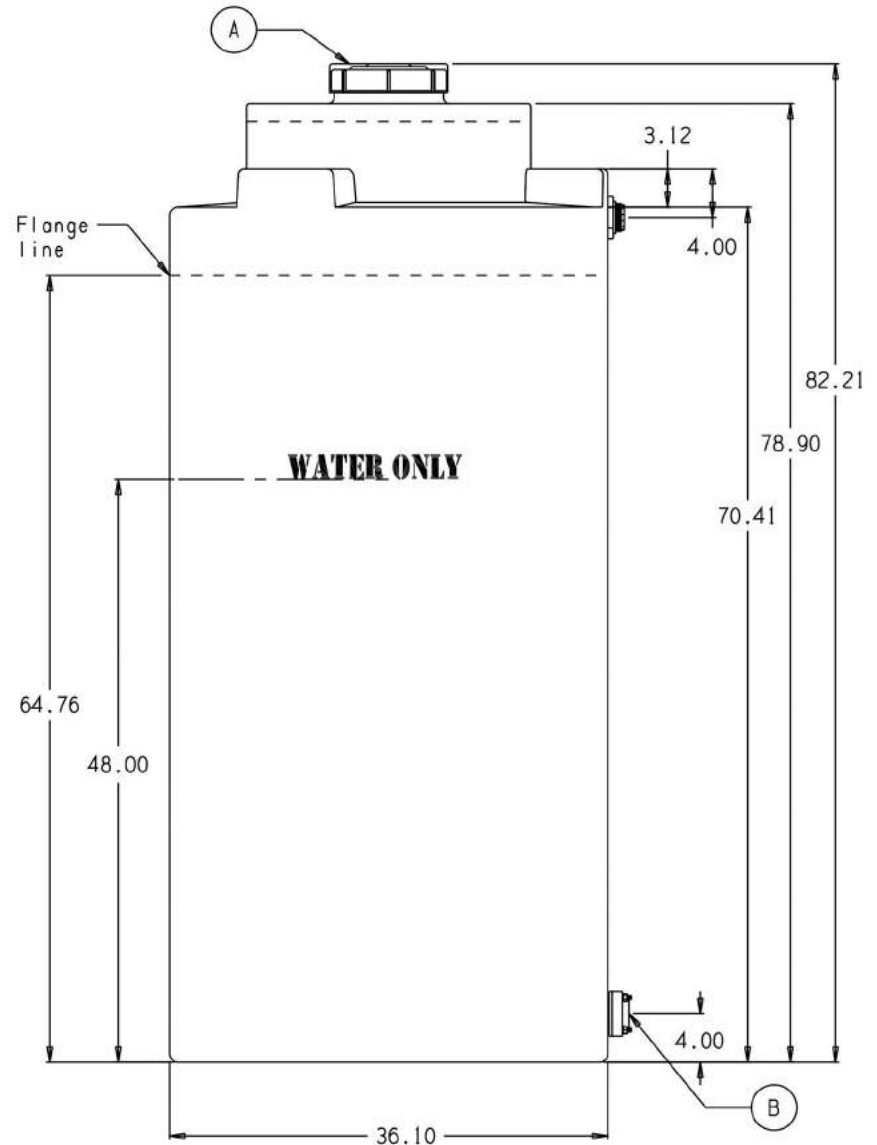
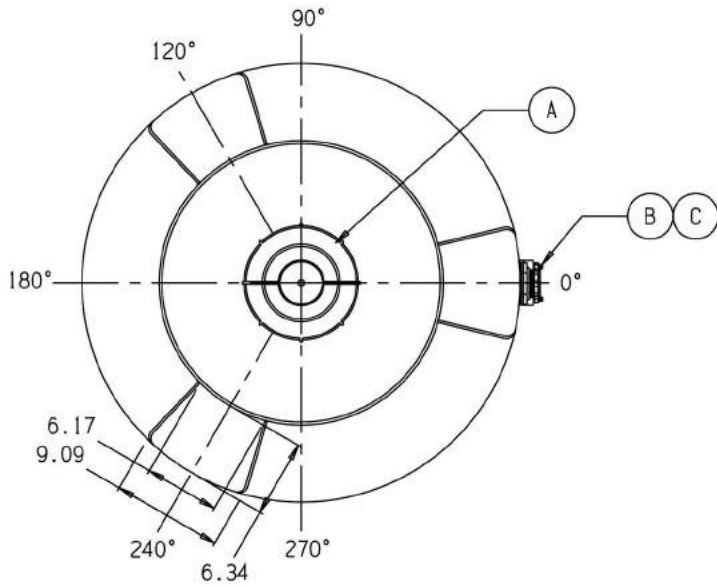


WATER



- A. 10" PE THREADED-VENTED FILL CAP W/7" ACCESS
- B. 2" PP DBL FLANGED BOLTED FTG W/EPDM GASKETS & SS BOLTS
- C. 1-1/2" PP T x T BH BANJO FTG W/EPDM GASKET

ALL DIMENSIONS ARE NOMINAL AND SUBJECT TO CHANGE WITHOUT NOTICE.

© SNYDER INDUSTRIES, INC., 2016

SNYDER INDUSTRIES INC. CLAIMS PROPRIETARY RIGHTS IN THE MATERIAL DISCLOSED HEREON. NEITHER THIS DRAWING NOR ANY PRODUCTION THEREOF MAY BE USED TO MANUFACTURE ANYTHING SHOWN HEREON WITHOUT PERMISSION IN WRITING FROM SNYDER INDUSTRIES INC. TO USER SPECIFICALLY REFERRING TO THIS DRAWING.

(all dimensions in inches)

PART # TANK:

REF#: 00000

01/08/16

# 300 GALLON FLAT BOTTOM WATER TANK

VWS300-36

(866) 776-8265

**PROTANK**

sales@protank.com