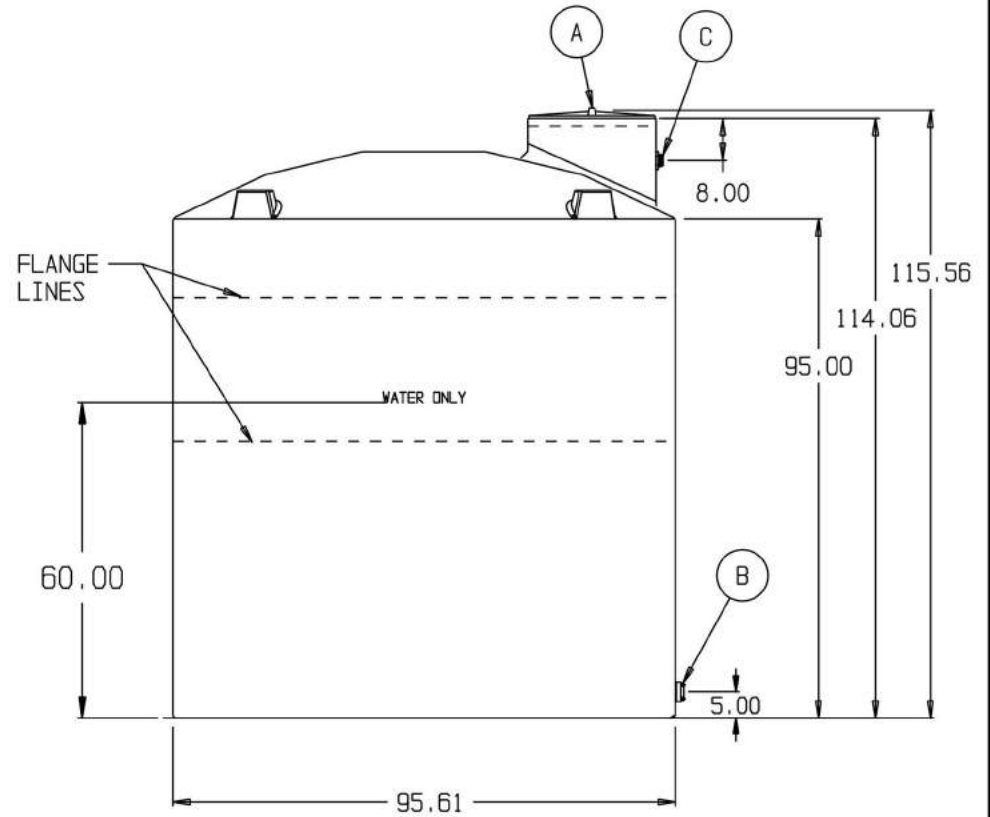
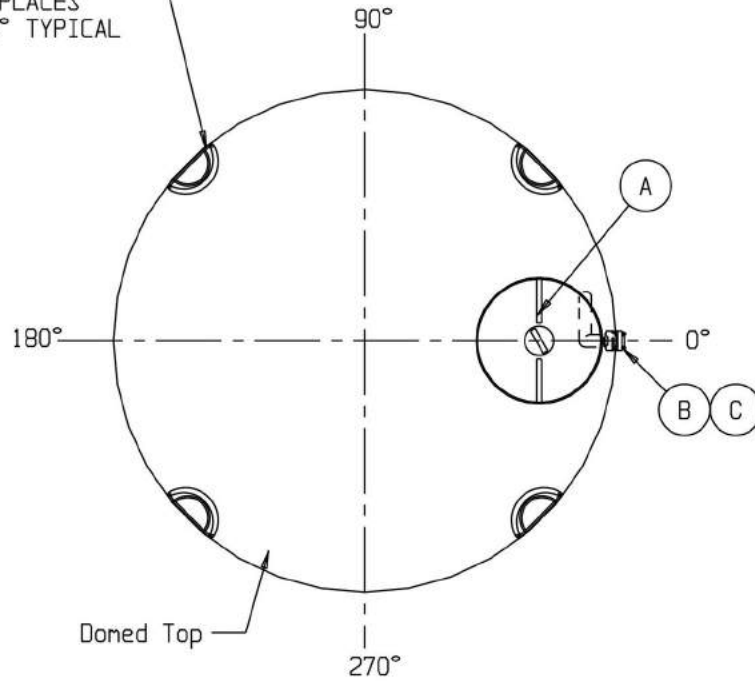


WATER

TIE-DOWN
4 PLACES
90° TYPICAL



- A. 24" PE THREADED-VENTED MANWAY W/22" ACCESS
- B. 2" PP DBL FLANGED BOLTED FTG <BANJO #BF230> W/EPDM GASKETS & SS BOLTS
- C. 1-1/2" PP T x T BH BANJO FTG W/EPDM GASKET

* BASE FITTINGS TO BE LEFT INSTALLED AT TIME OF SHIPMENT PER SII PROCEDURE
 * Consult Snyder's Guidelines for Use and Installation prior to delivery.
 Available on-line at www.snydernet.com

(all dimensions in inches)

PART # TANK:

3,000 GALLON BLACK & DARK OLIVE GREEN WATER TANK

REF#: 0000

01/19/10

VWS3000-96

(866) 776-8265

PROTANK

sales@protank.com